

BASE PULL-OUT PLUS - 300/400mm RH (IP2B300R/IP2B400R)

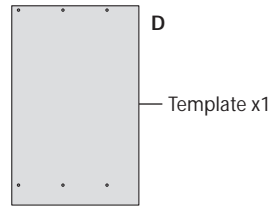
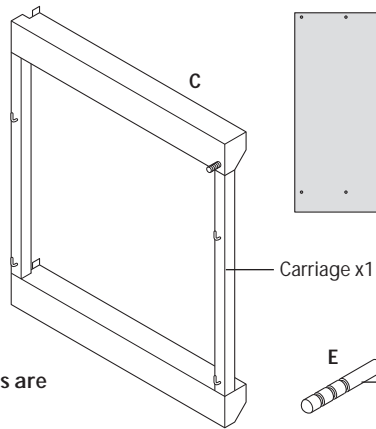
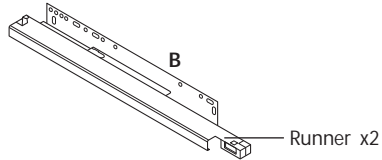
Assembly and fitting instructions



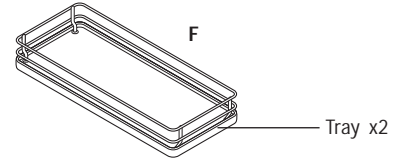
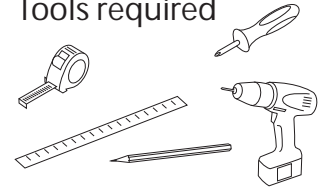
! **IMPORTANT - The unit has a maximum loading limit of 20kg. Load should be evenly distributed across both trays. All fixings supplied must be used for installation. Illustrations show right handed version.**

Parts

A  x6 3.5 x 16mm countersunk screw

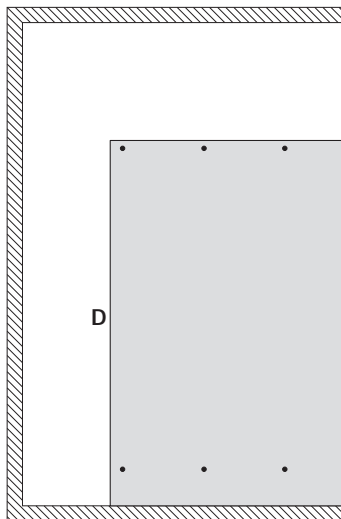


Tools required

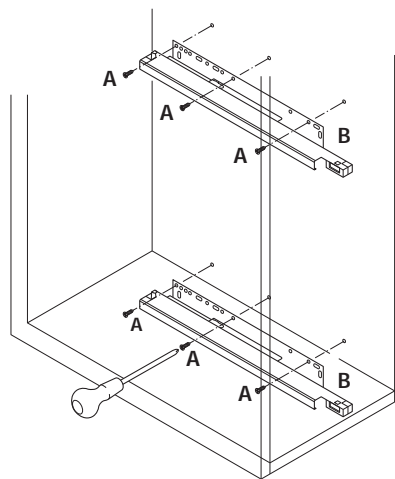


! Please ensure that all the above fittings are present before installation begins.

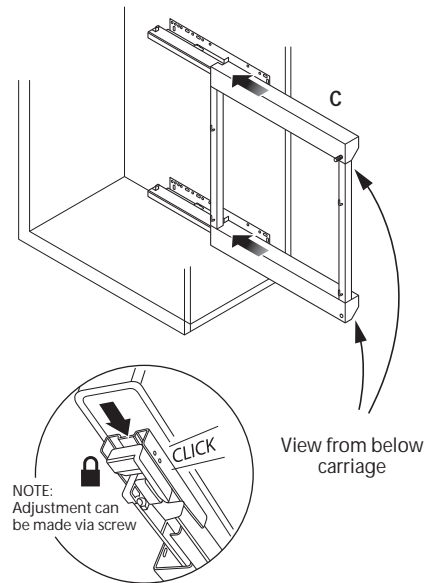
1 Mark screw positions for runners on right hand side of cabinet.



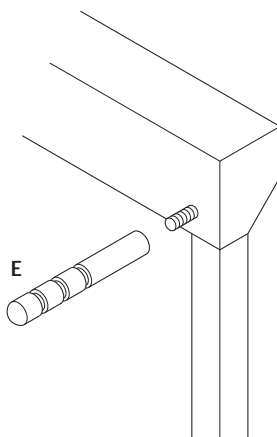
2 Secure runners to cabinet side.



3 Slide carriage onto runners ensuring the carriage sits under the back retaining lugs, and click into place.



4 Fit the opening handle to the carriage.



5 Fit the trays.



IMPORTANT - The unit has a maximum loading limit of 20kg.

