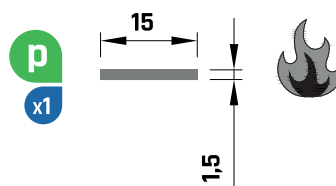
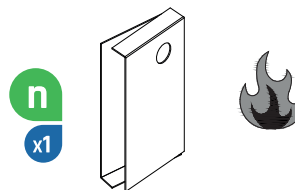
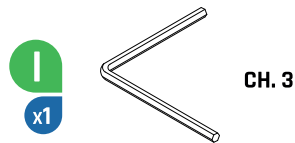
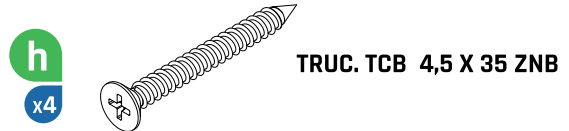
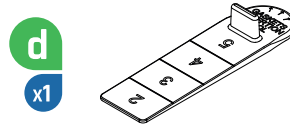
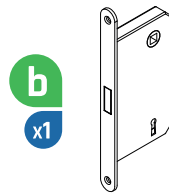
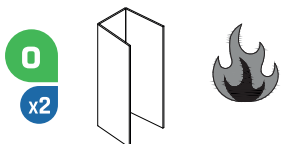
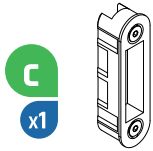
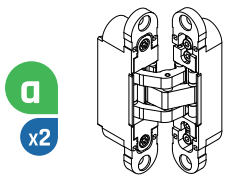


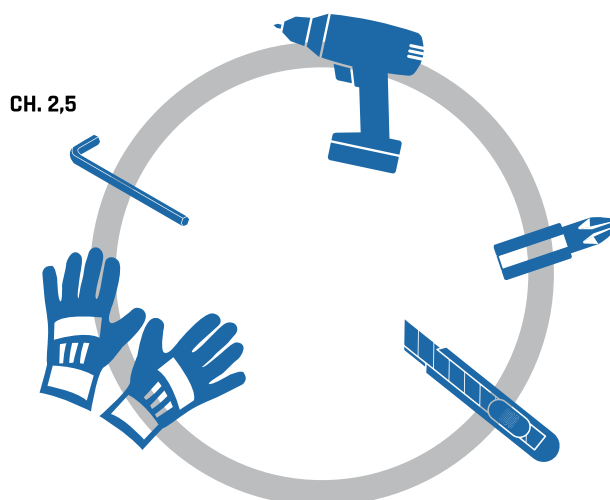
## HINGED DOOR INSTALLATION



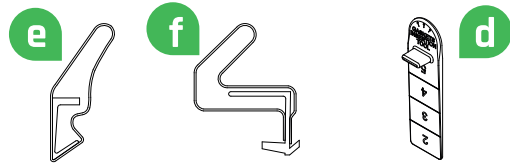
## COMPONENTS



## TOOLS REQUIRED

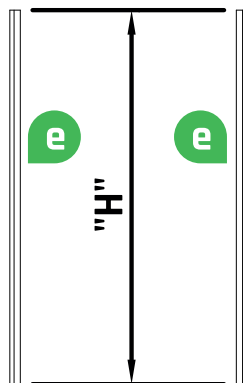
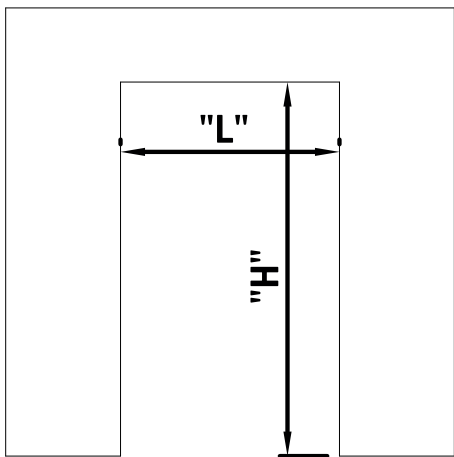
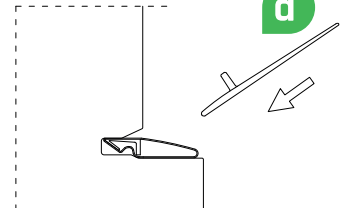
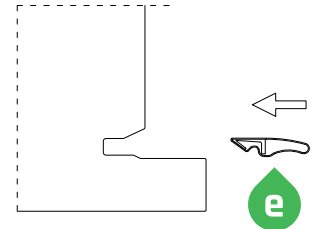
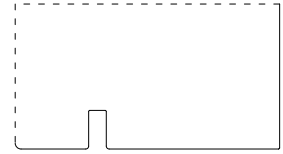
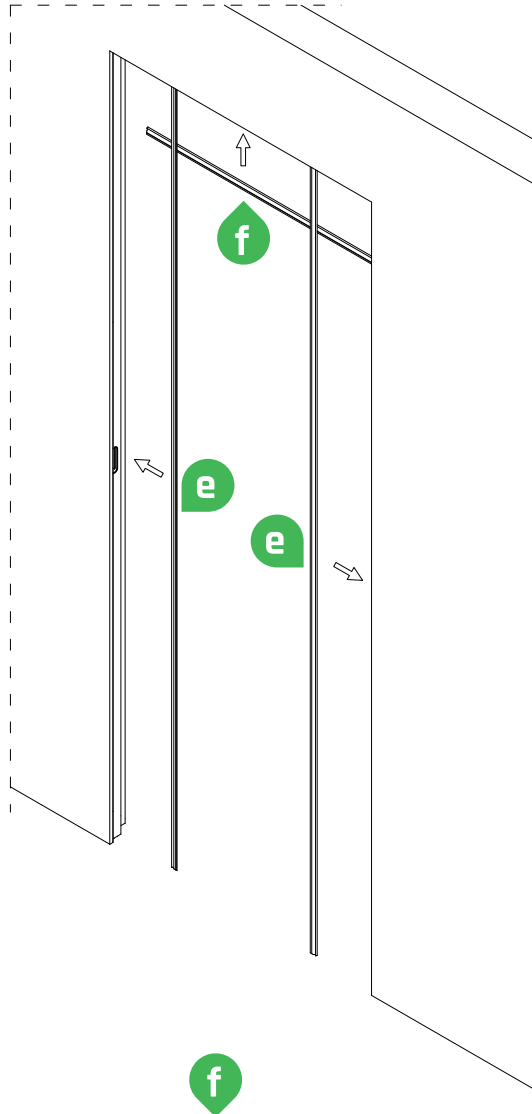
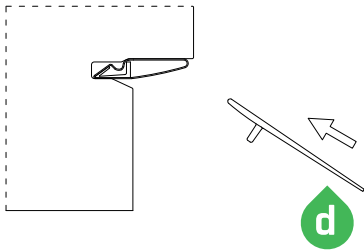
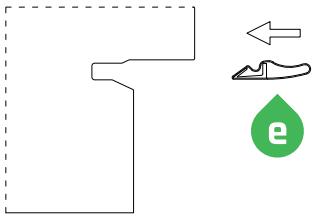
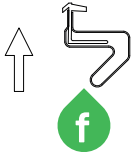
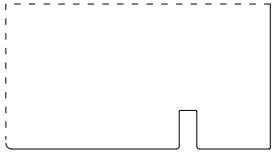


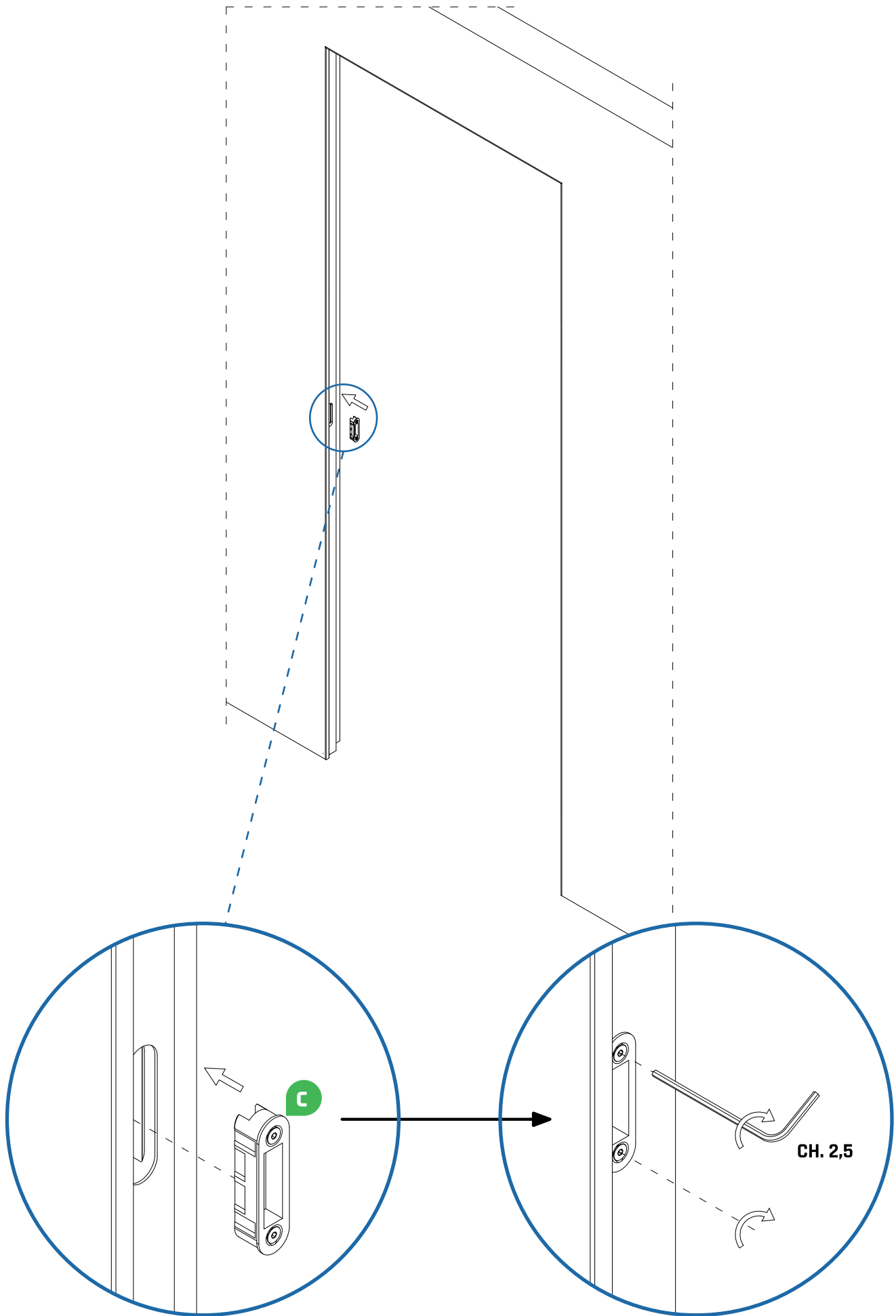
If you follow carefully these instructions for the assembly and installation process your life will be easier! A pair of tressles are very useful when assembling the frames. Some parts may have sharp edges so use gloves and be careful when handling the parts. All Rocket Door frames products are fully inspected and tested before they leave the factory.



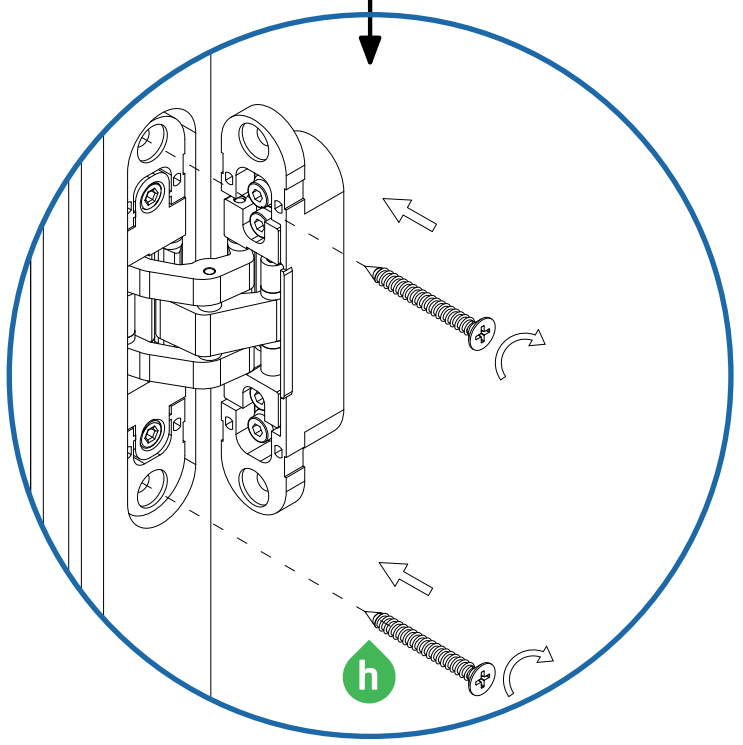
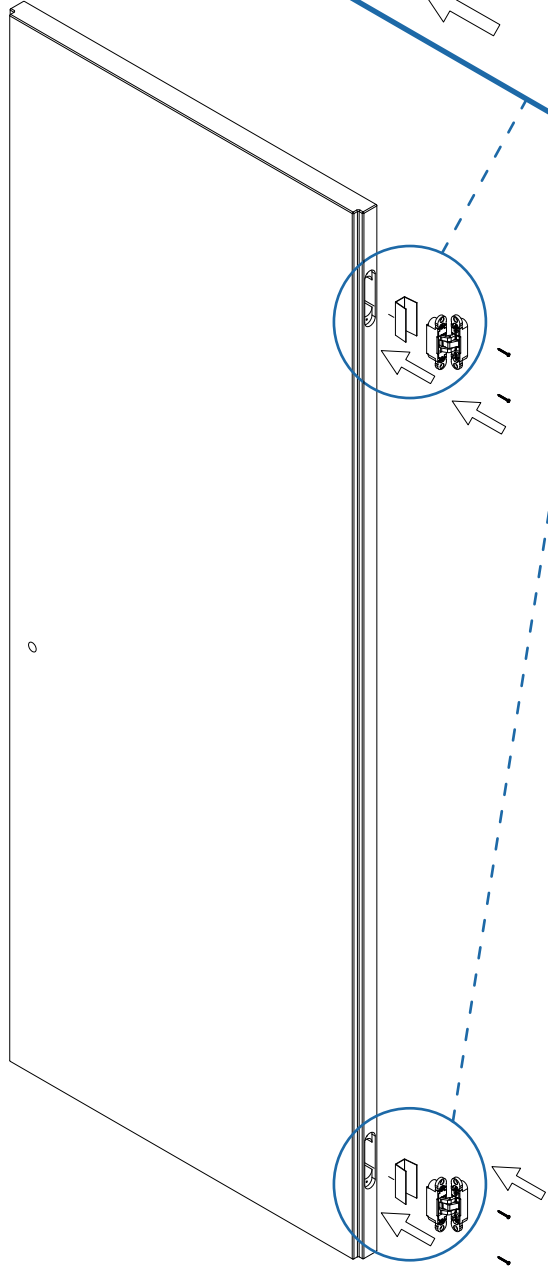
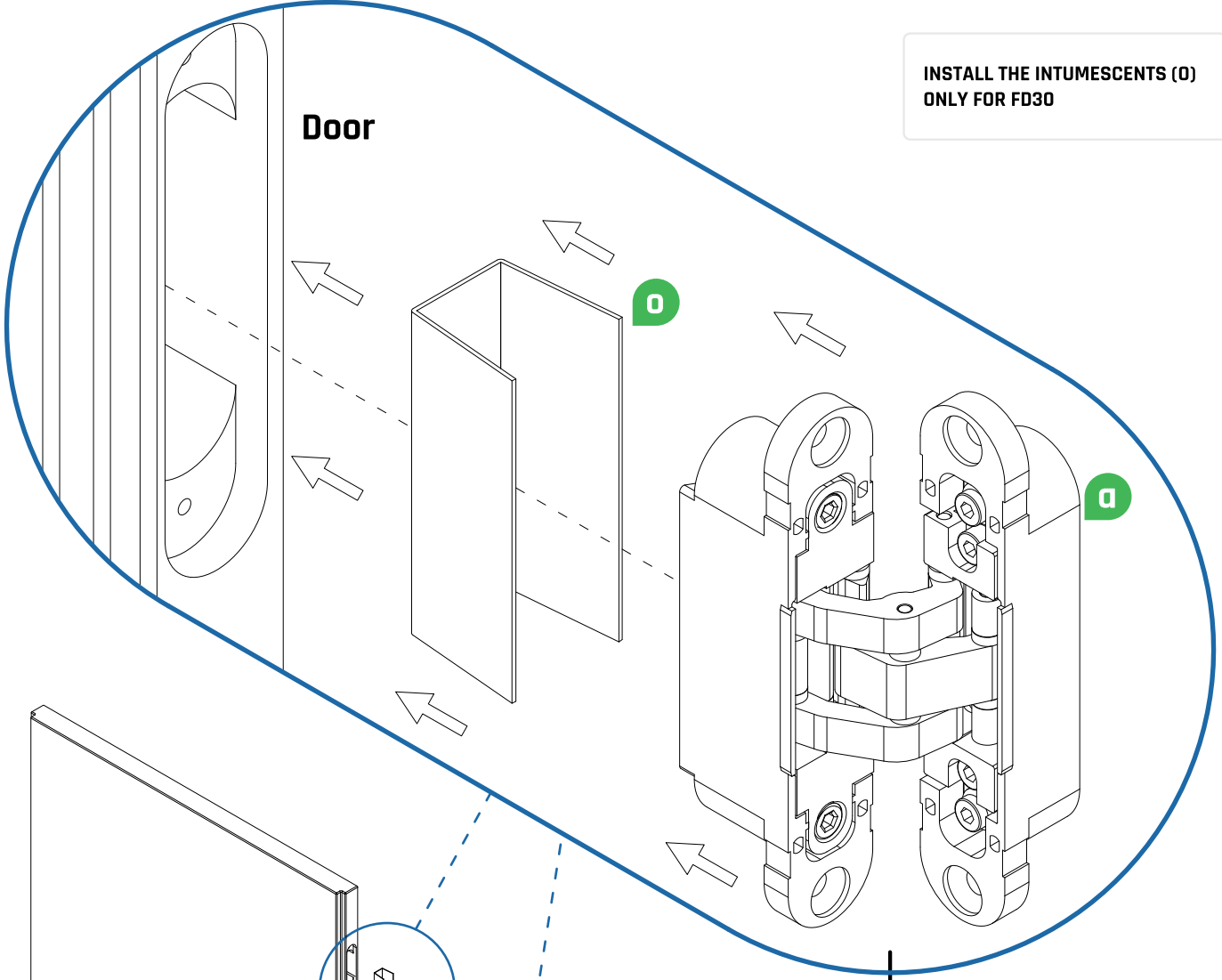
**PULL**

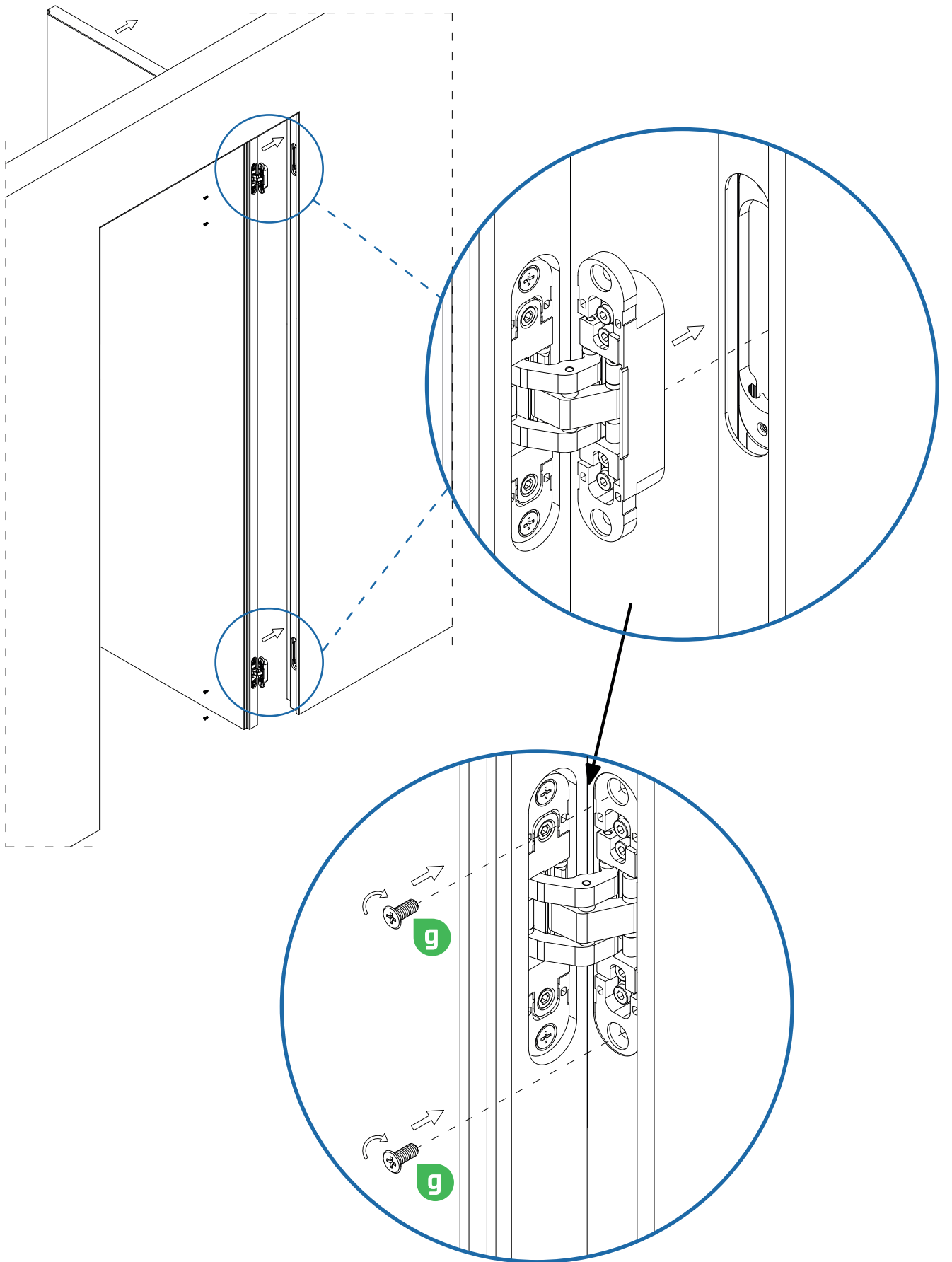
**PUSH**

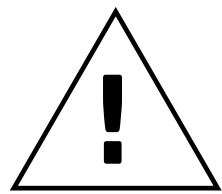
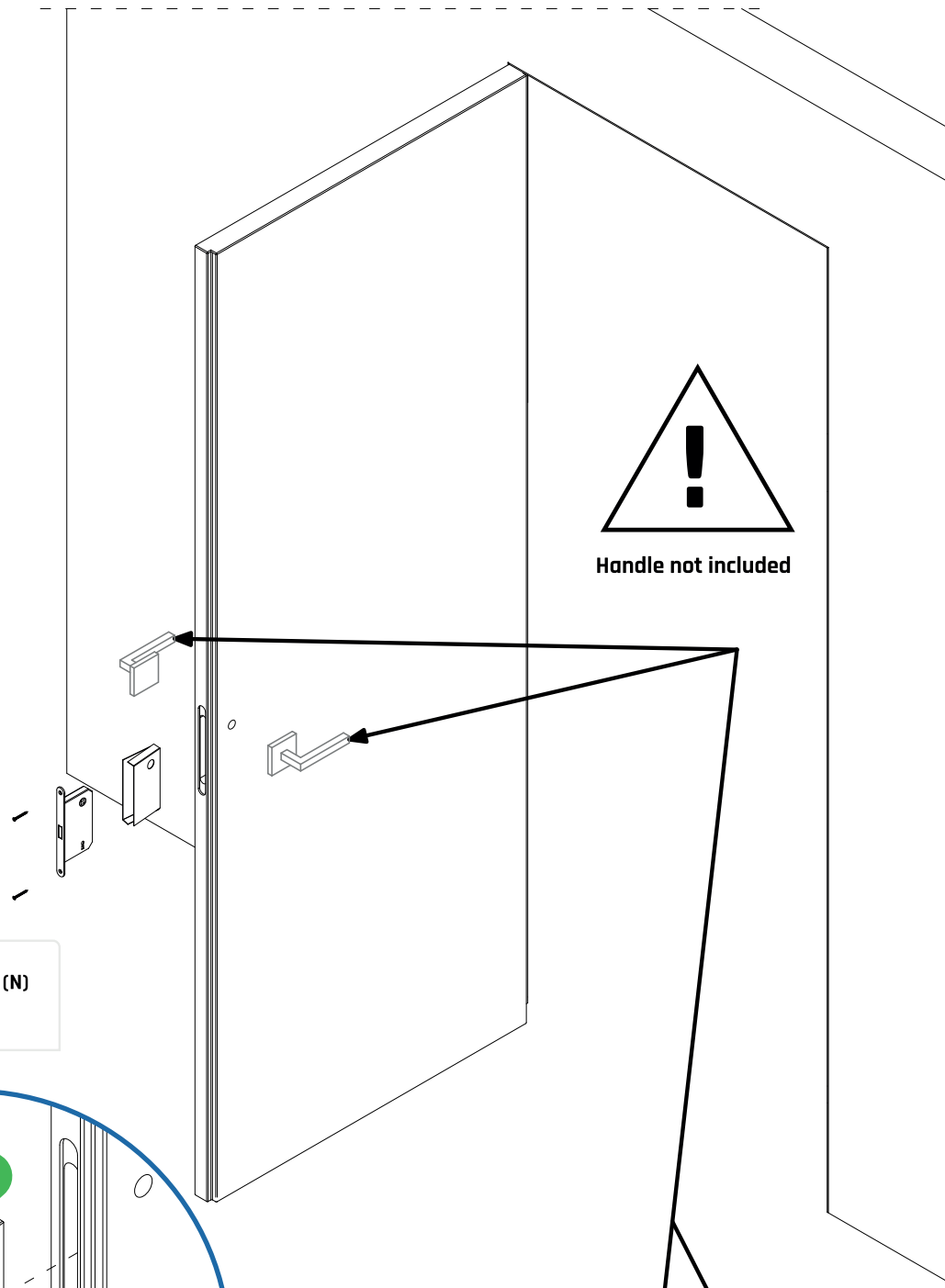




INSTALL THE INTUMESCENTS (O)  
ONLY FOR FD30

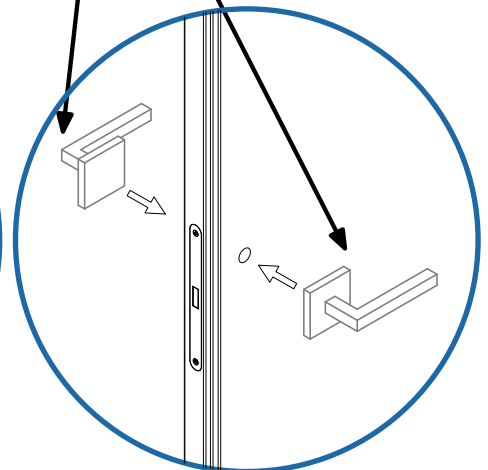
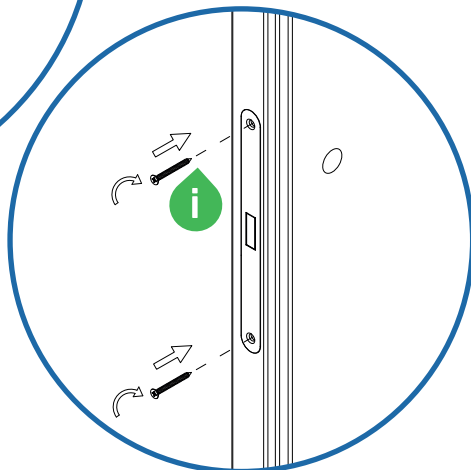
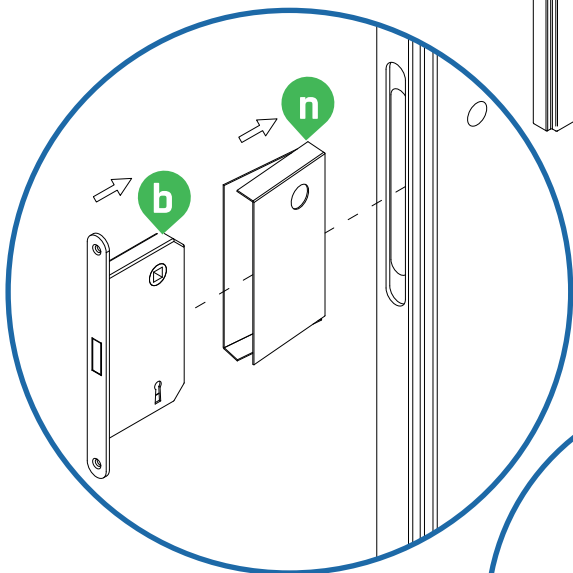


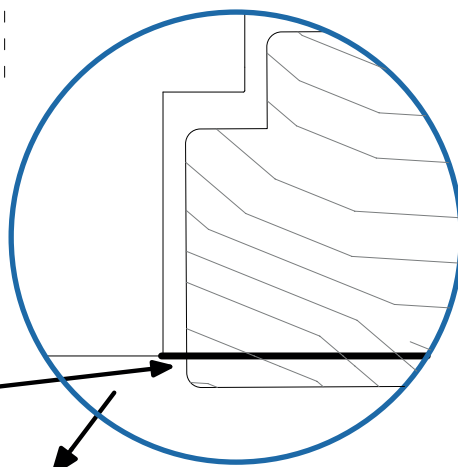
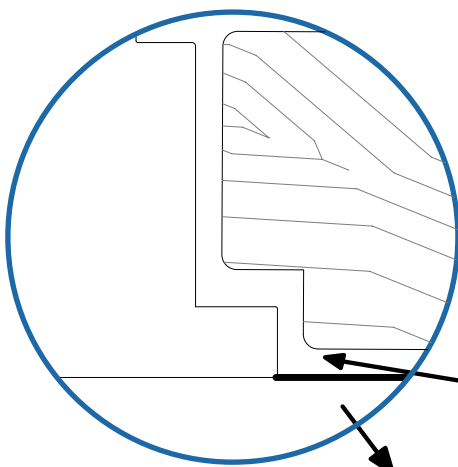
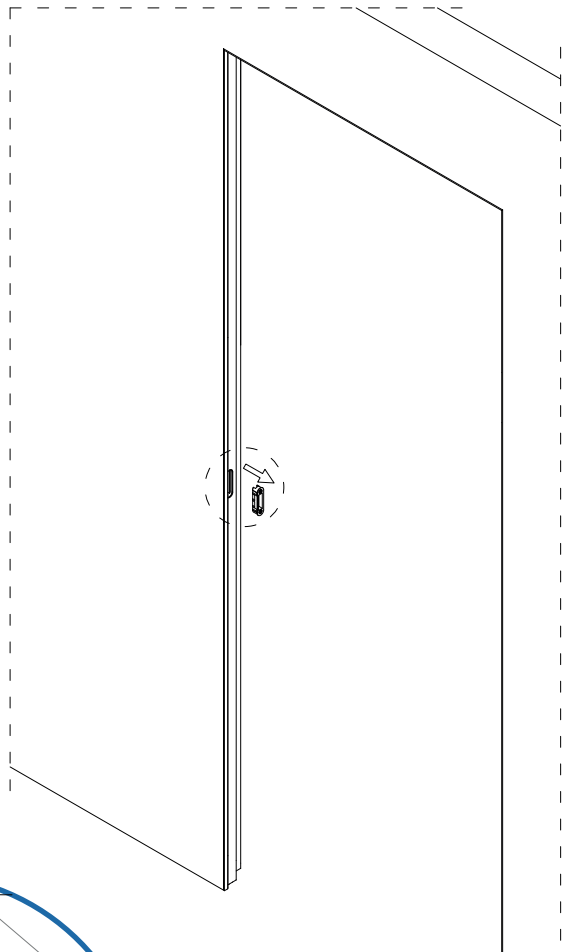




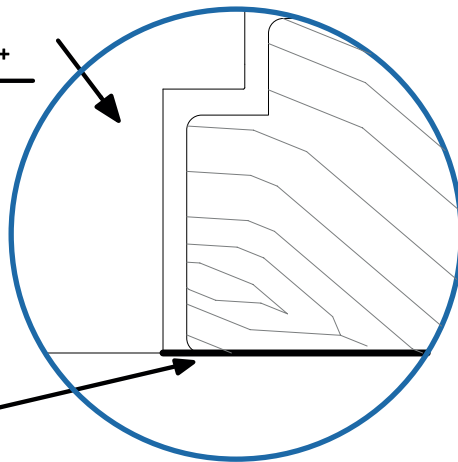
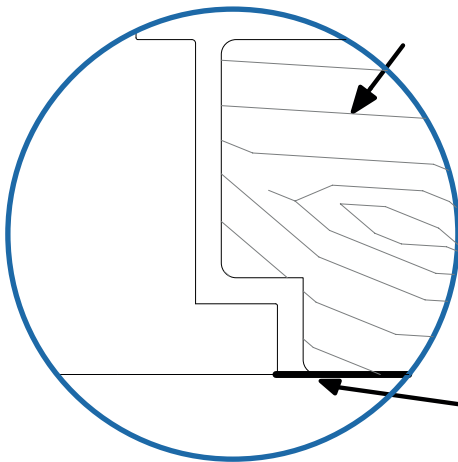
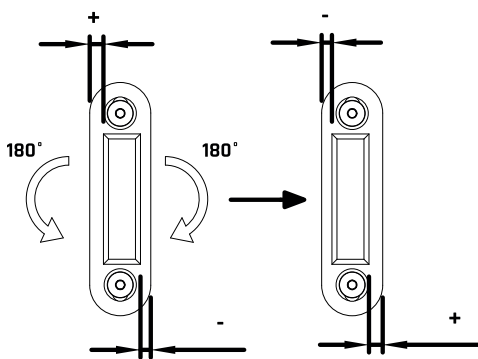
Handle not included

INSTALL THE INTUMESCENTS (N)  
ONLY FOR FD30



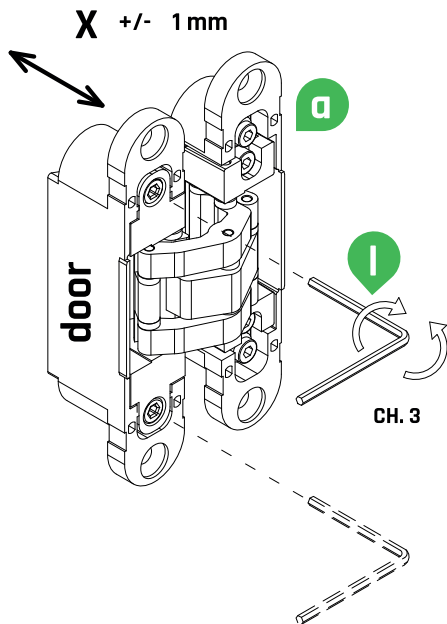
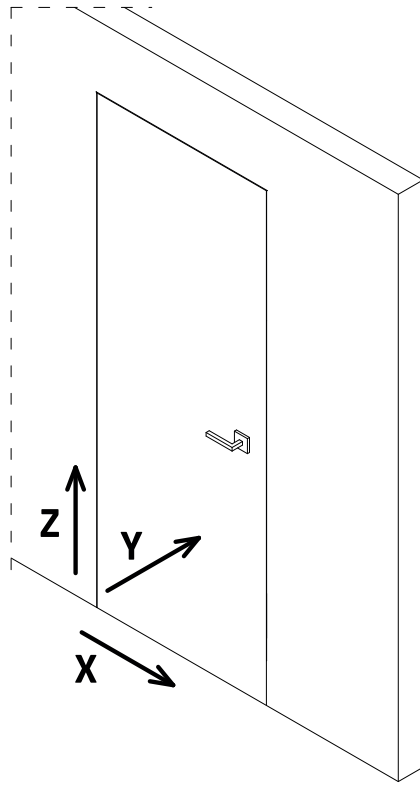


Should not look like this

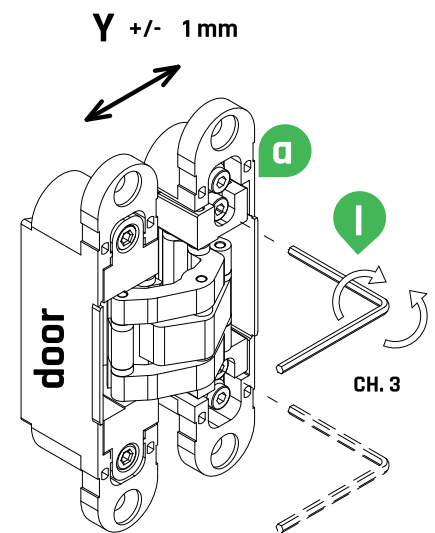


Should look like this  
FLUSH

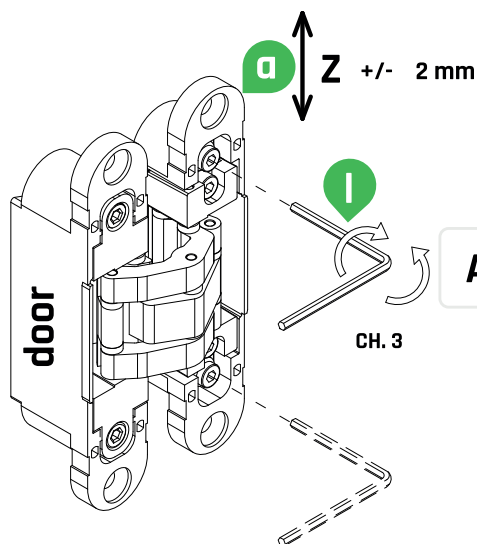




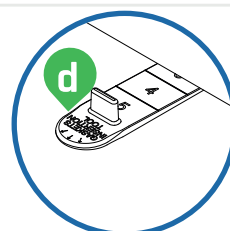
**Adjusting the X axis - door panel right/left**



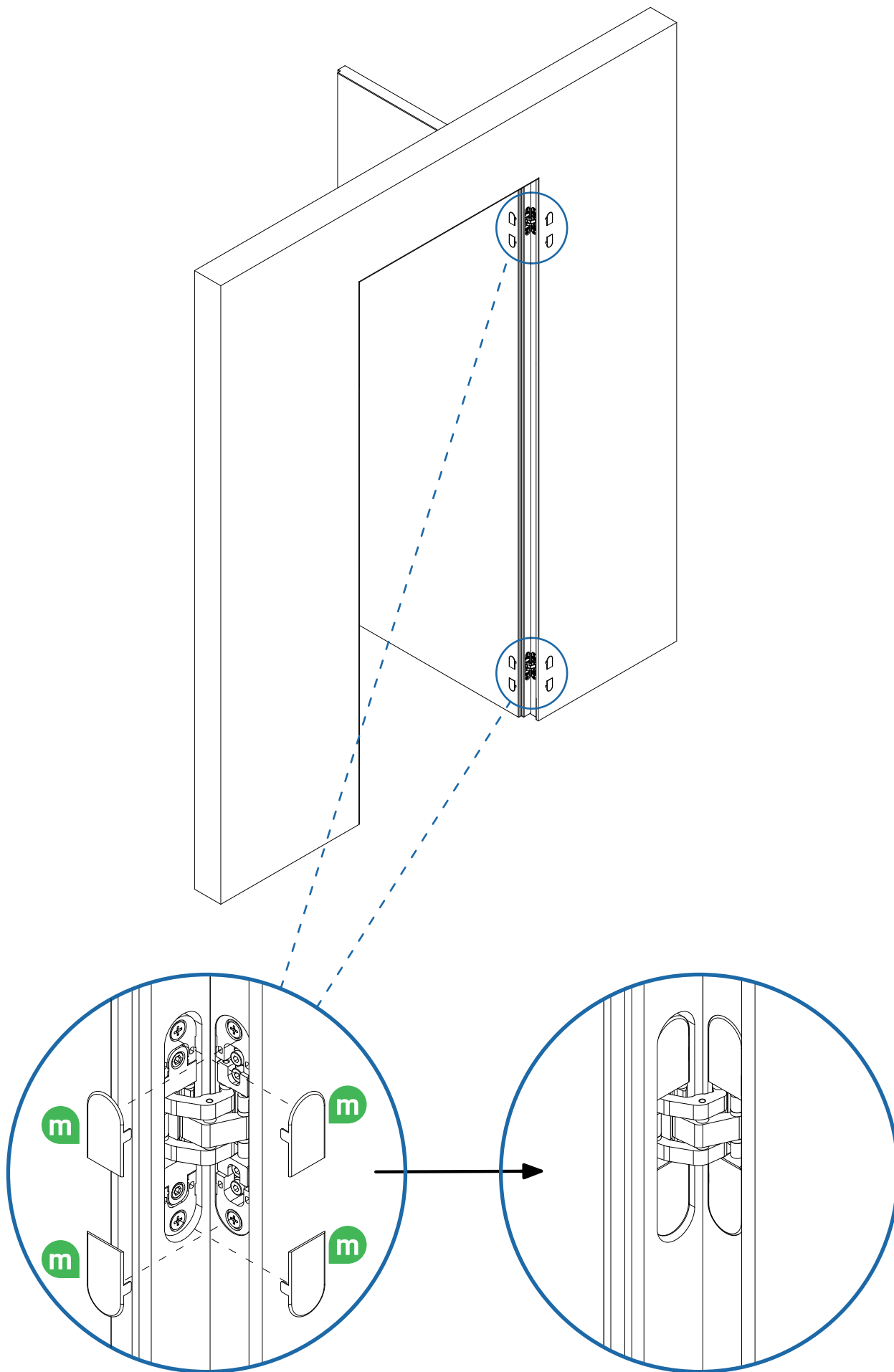
**Adjusting the Y axis - door panel in/out**

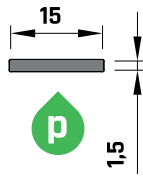


**Adjusting the Z axis - door panel up/down**



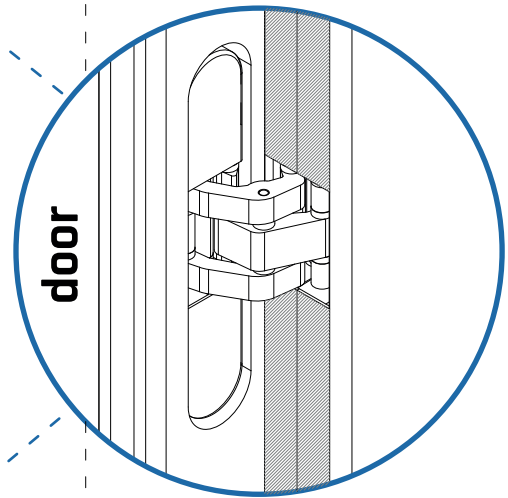
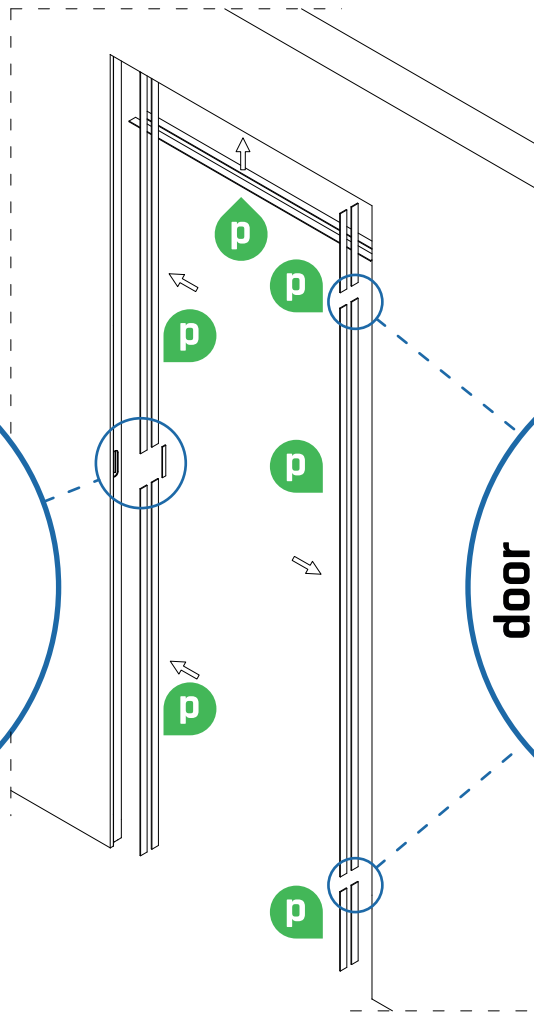
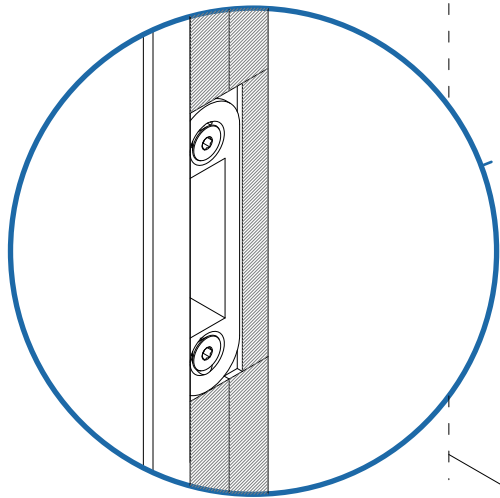
Use wedge (D) to raise the door





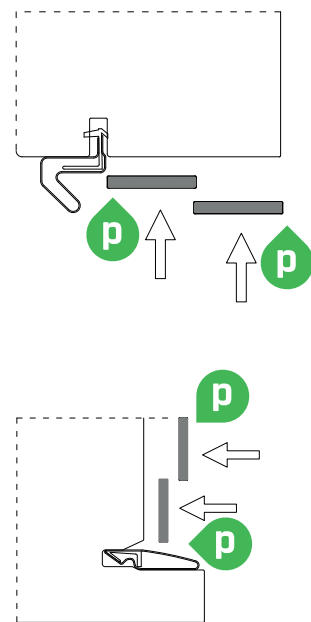
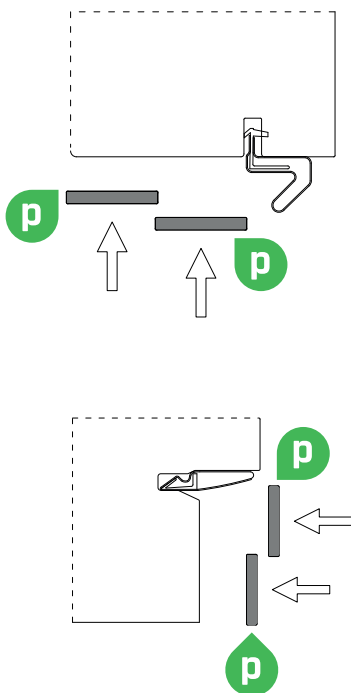
The intumescents should be painted before installed. Make sure the paint is compatible with the grafite

INSTALL THE INTUMESCENTS (P) ONLY FOR FD30



**PULL**

**PUSH**





Rocket Door Frames - Unit 14 Priest Court - Springfield Ind Est - Grantham NG31 7FZ  
T: 03309980617 - info@rocketdoorframes.co.uk - www.rocketdoorframes.co.uk

**NEED HELP? GIVE US A CALL 03309980617**