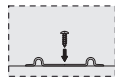
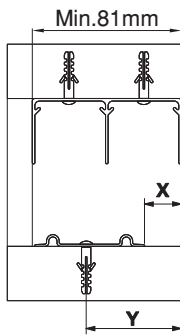


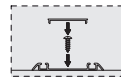
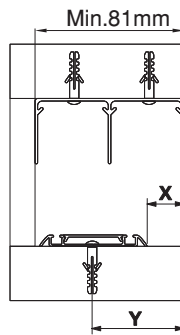
PLACARD 81

81		X	Y
	10/16	20	49,5
	18	22	51,5

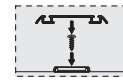
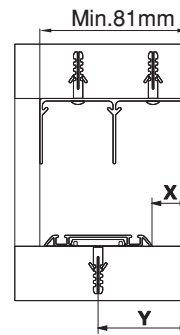
10/16



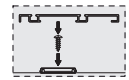
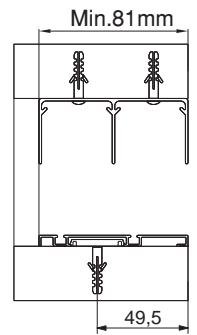
10/16/18



10/16/18



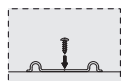
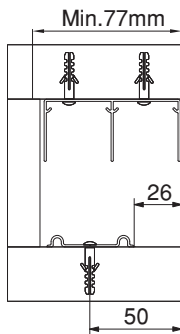
10/16



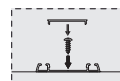
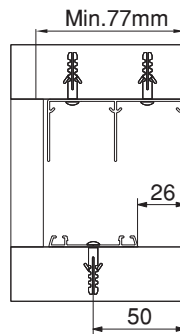
PLACARD 74

74

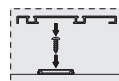
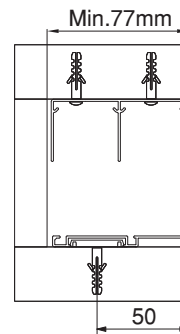
10/16/18/19



10/16/18/19



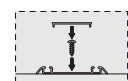
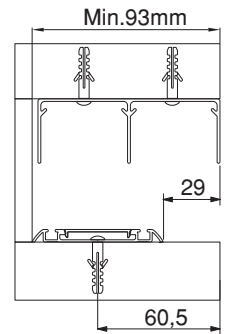
10/16/18/19

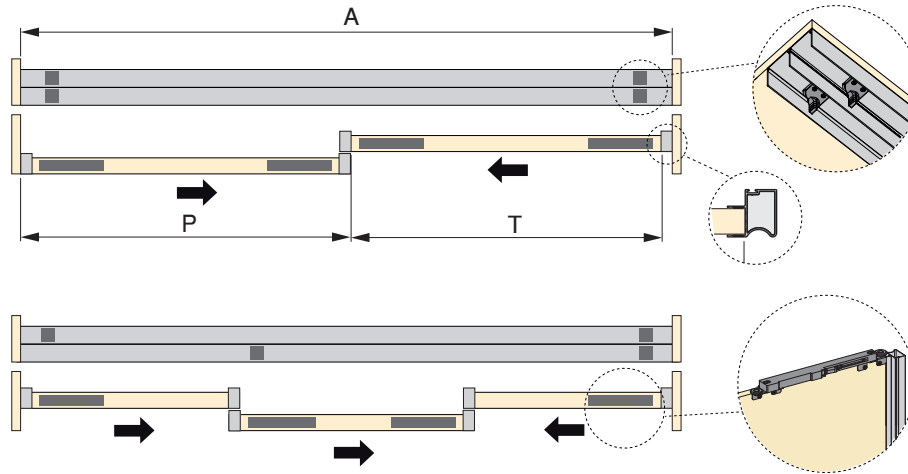


PLACARD 90

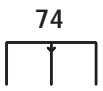
90

19

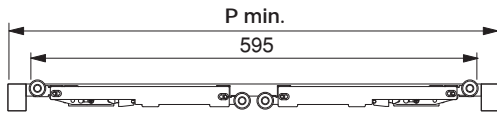




PLACARD 74

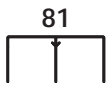


HANDLES MANIGLIE TIRADORES POIGNÉES PUXADORES							
P min.	642 mm	634 mm	634 mm	634 mm	634 mm	634 mm	634 mm

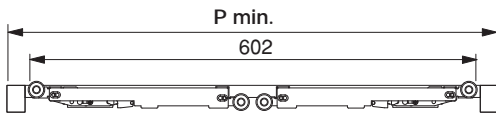


$T = \frac{A - 12}{2}$ $P = \frac{A + 12}{2}$					$T = \frac{A - 50}{2}$ $P = \frac{A + 18}{2}$	
$T = \frac{A - 12}{3}$ $P = \frac{A + 24}{3}$					$T = \frac{A - 66}{3}$ $P = \frac{A + 35}{3}$	

PLACARD 81

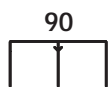


HANDLES MANIGLIE TIRADORES POIGNÉES PUXADORES										
P min.	674 mm	656 mm	656 mm	640 mm	656 mm	656 mm	640 mm	656 mm	684 mm	684 mm

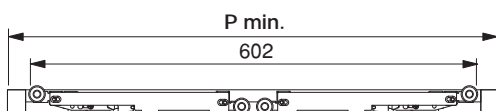


$T = \frac{A + 6}{2}$ $P = \frac{A + 12}{2}$				$T = \frac{A - 50}{2}$ $P = \frac{A + 18}{2}$				$T = \frac{A - 45}{2}$ $P = \frac{A + 15}{2}$	$T = \frac{A - 105}{2}$ $P = \frac{A + 35}{2}$
$T = \frac{A + 15}{3}$ $P = \frac{A + 24}{3}$				$T = \frac{A - 66}{3}$ $P = \frac{A + 35}{3}$				$T = \frac{A - 60}{3}$ $P = \frac{A + 30}{3}$	$T = \frac{A - 140}{3}$ $P = \frac{A + 70}{3}$

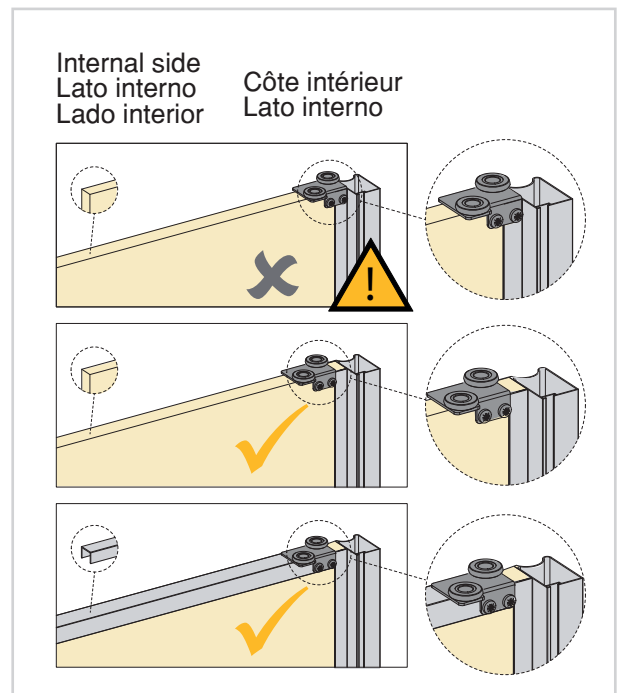
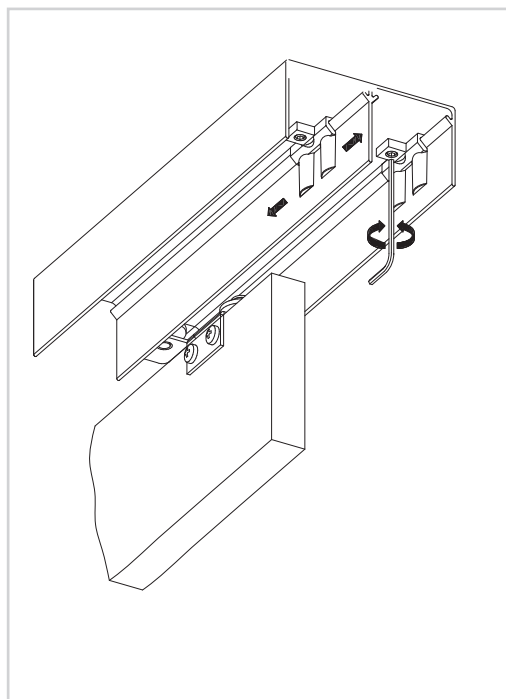
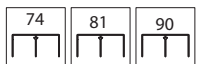
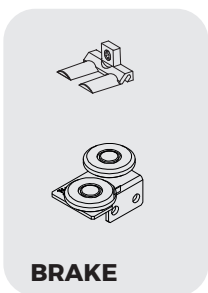
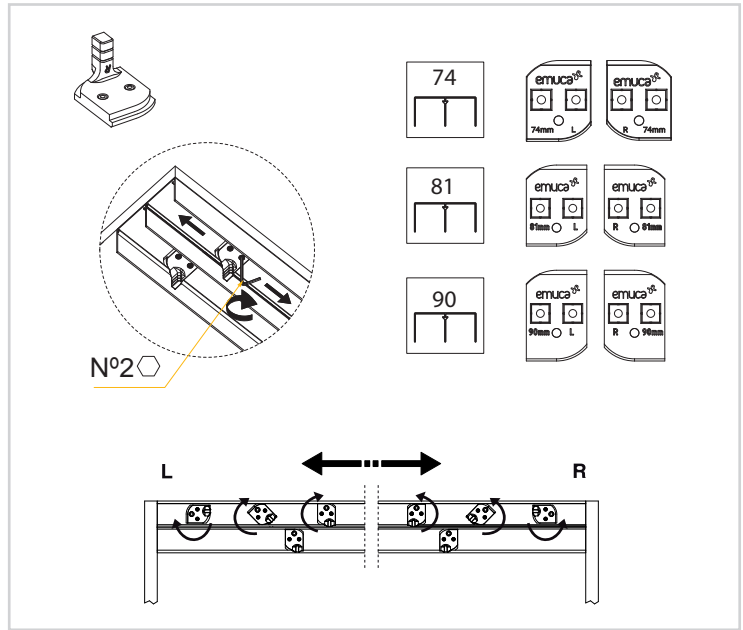
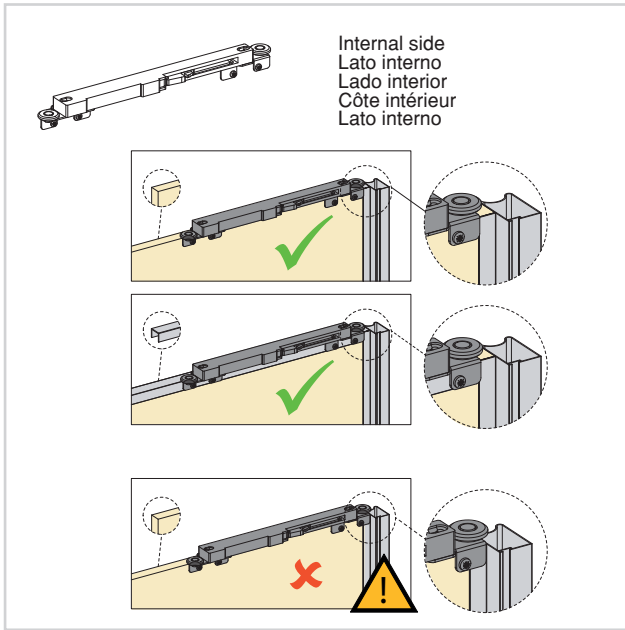
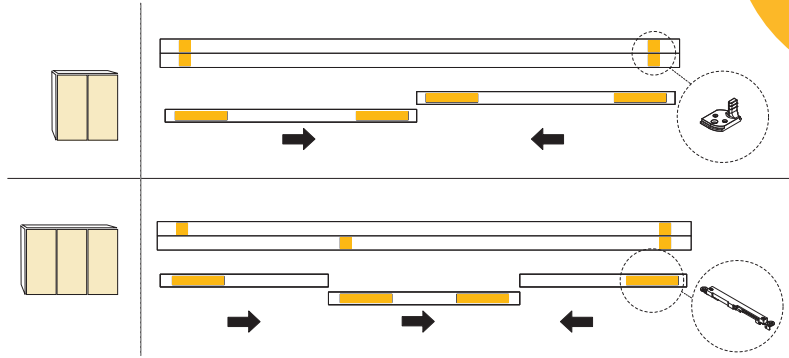
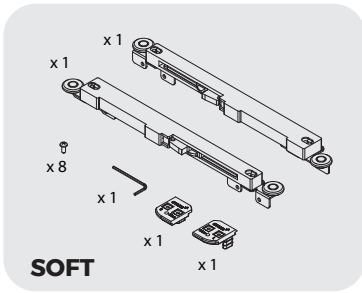
PLACARD 90

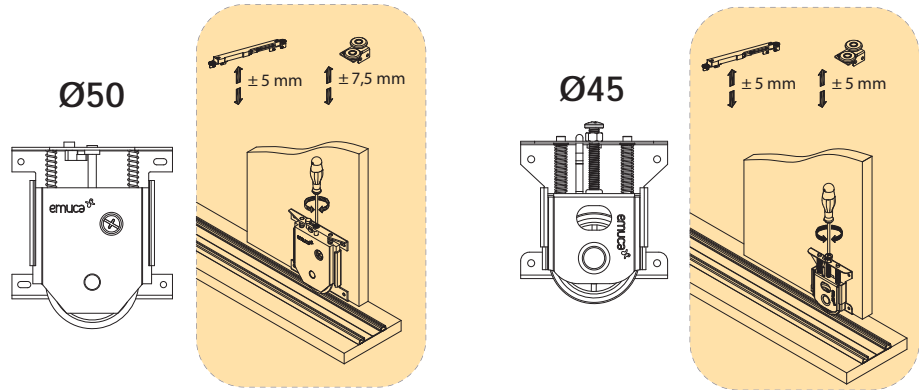
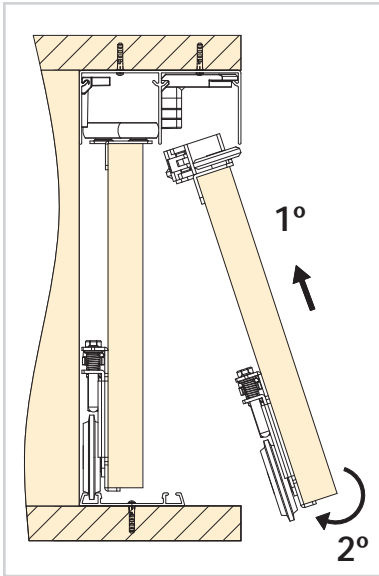


HANDLES MANIGLIE TIRADORES POIGNÉES PUXADORES			
P min.	628 mm	636 mm	636 mm



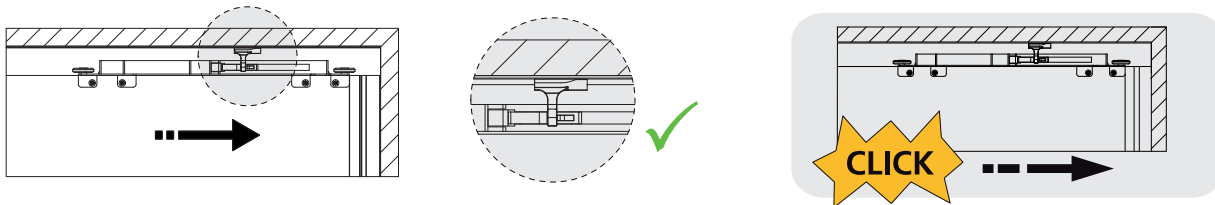
$T = \frac{A + 16}{2}$ $P = \frac{A + 20}{2}$	$T = \frac{A + 16}{2}$ $P = \frac{A + 28}{2}$	$T = \frac{A + 30}{2}$ $P = \frac{A + 34}{2}$
$T = \frac{A + 34}{3}$ $P = \frac{A + 40}{3}$	$T = \frac{A + 42}{3}$ $P = \frac{A + 60}{3}$	$T = \frac{A + 62}{3}$ $P = \frac{A + 68}{3}$



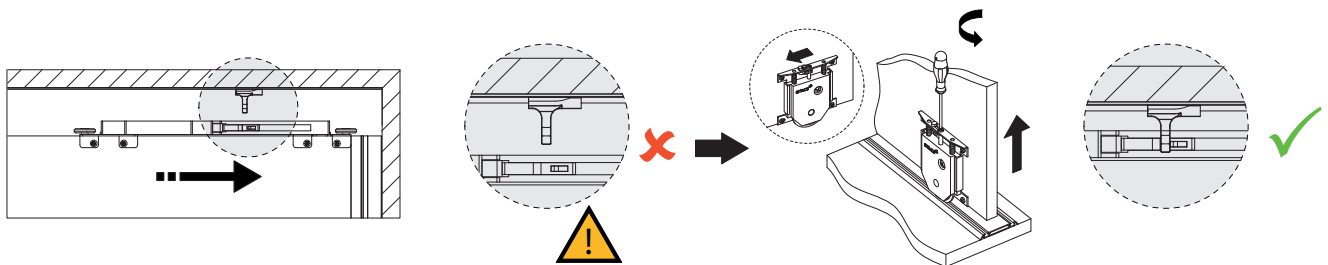


Adjusment closing (first time)
Regolazione per chiusura (prima volta)
Ajuste de cierre (primera vez)
L'ajustement la fermeture (la première fois)
Ajuste o feche (primeira vez)

A



B



C

