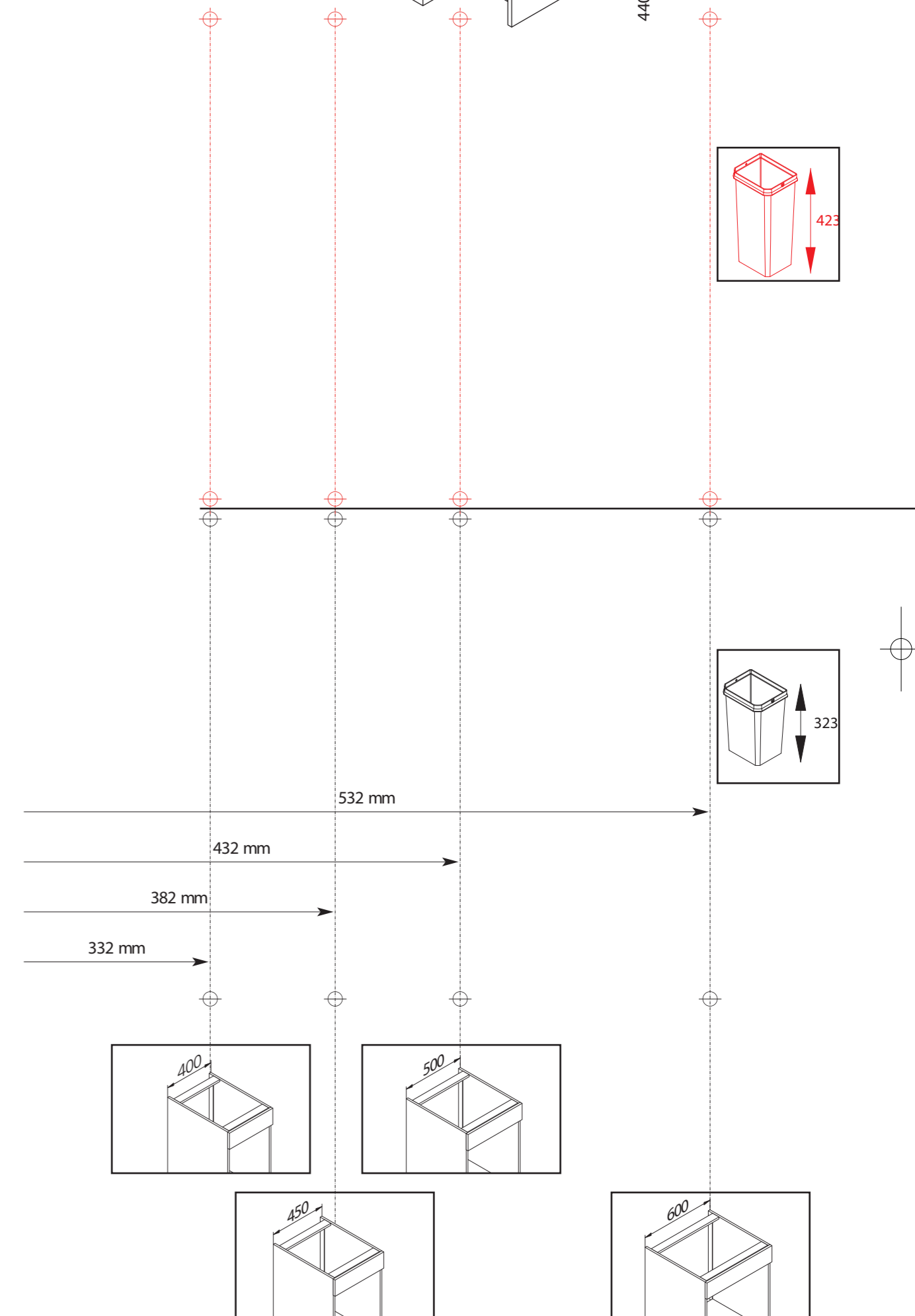
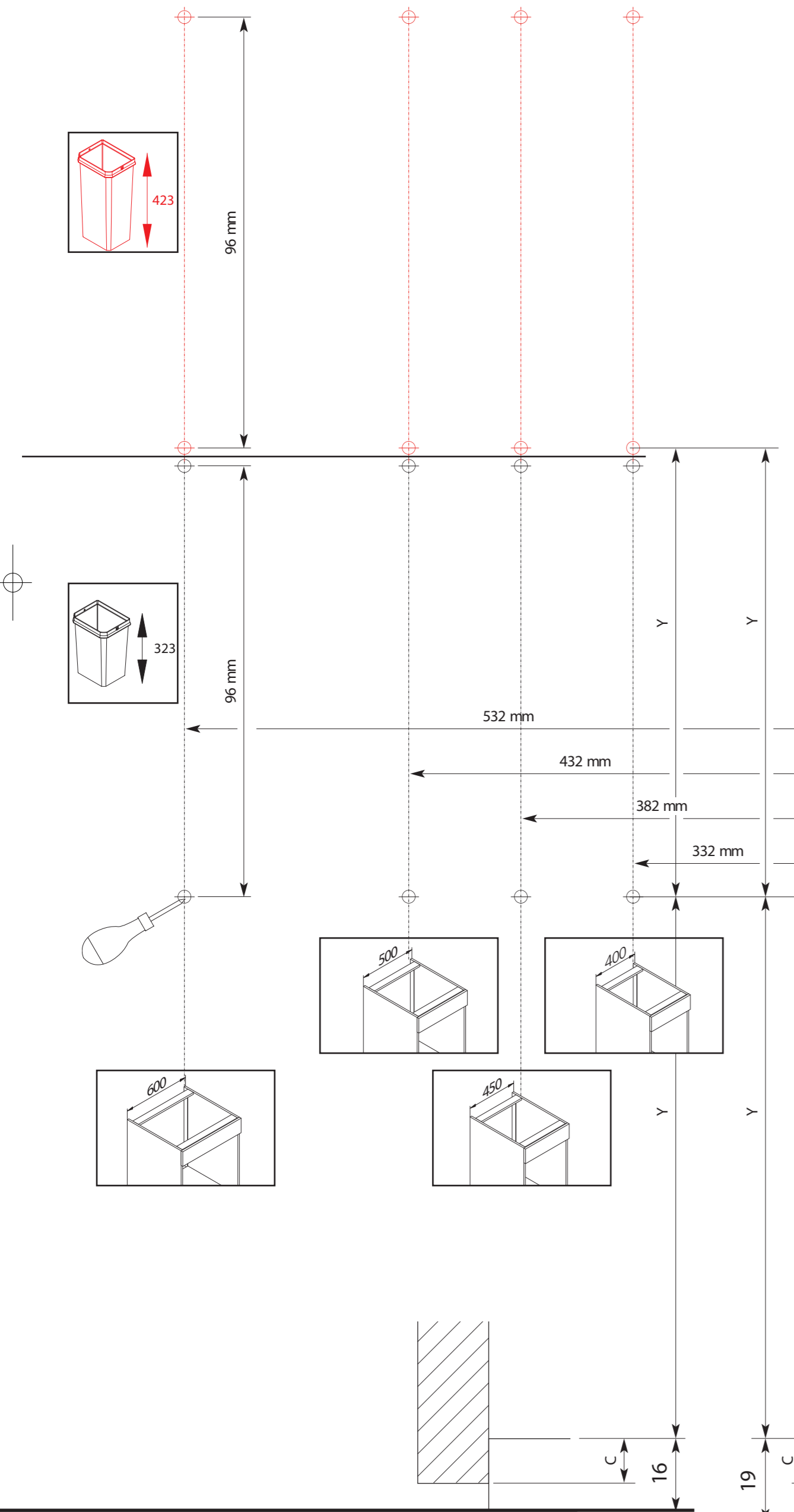
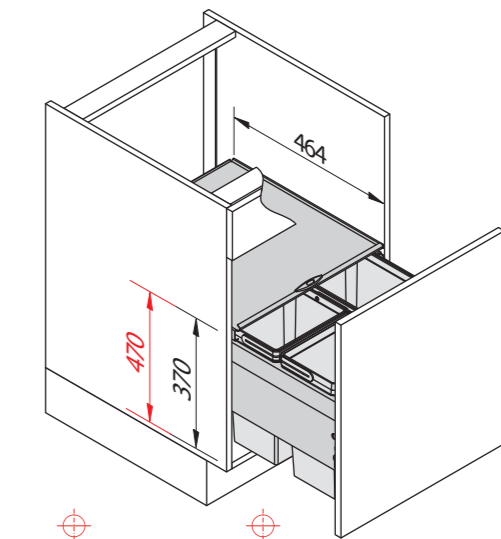


VAUTH-SAGEL
SYSTEMTECHNIK

FITT-10103
Issue 1



04/2009/056

ÖKO-LINER

