



**Pacta**

***SALICE***



## PACTA



Pacta is a compact hinge for fall flaps which operates without the need for additional stays or cables.

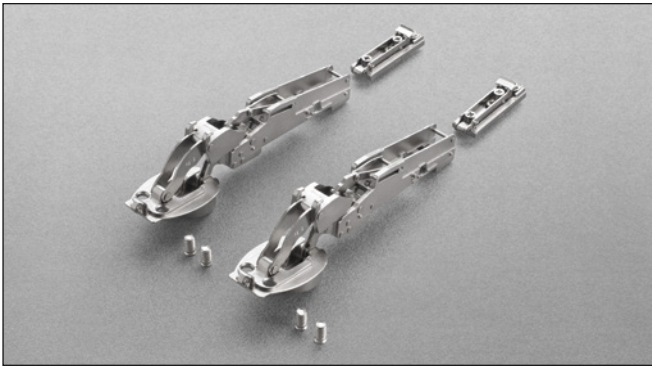
Pacta confers a decelerated opening action and the fall of the door is gradual and controlled.

In the fully-open position, the door and base panel are aligned, creating a uniform and flat surface.

Available with Push self-opening system, Pacta comes in a variety of finishes. Its applications are numerous: in living room and kitchen cabinets, to create desks in children's furniture or for writing surfaces and table extensions in hotel furniture.



**PACTA**



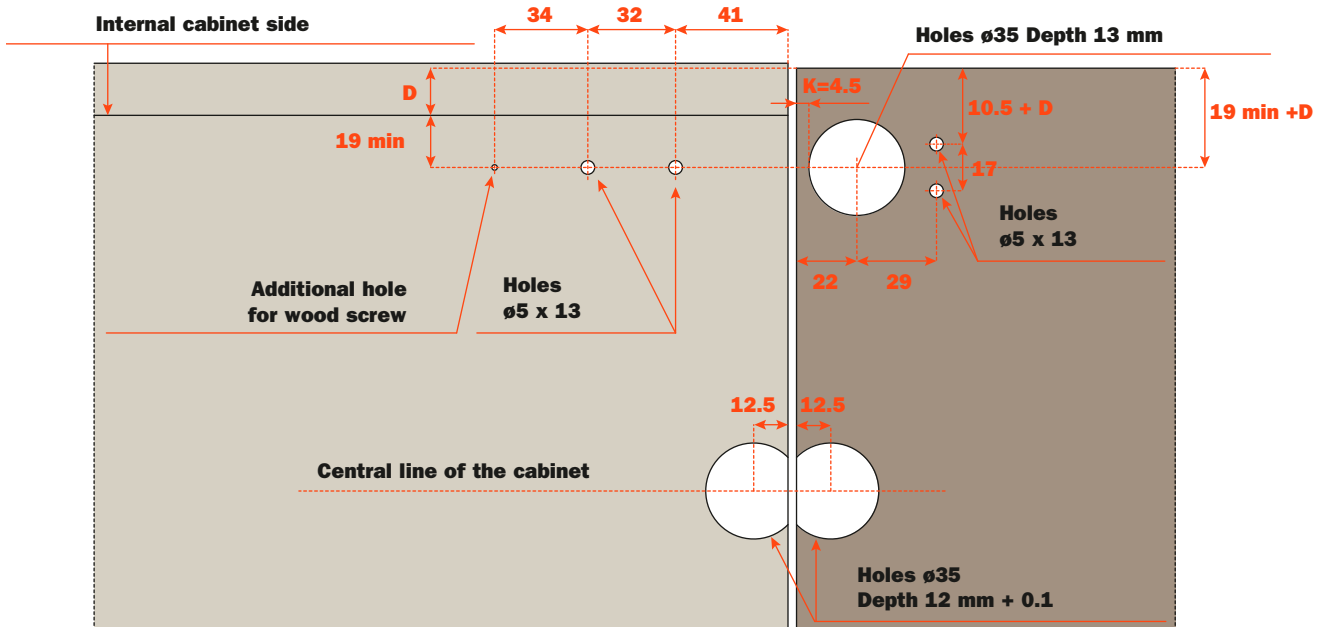
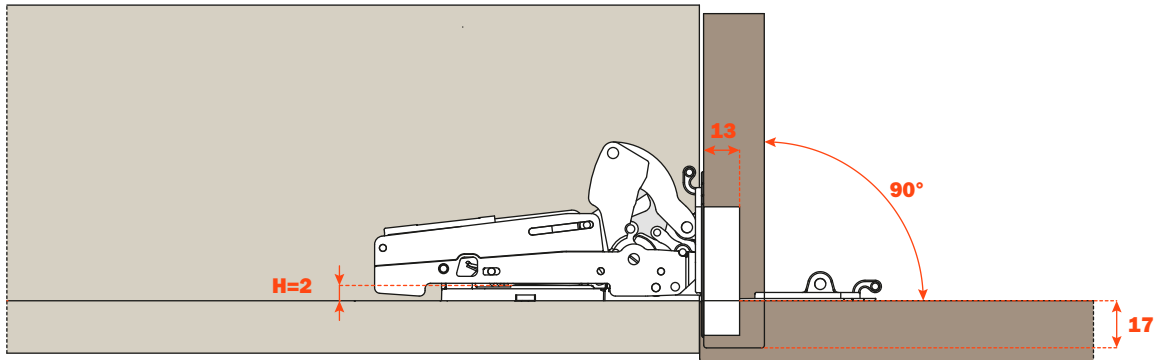
**Technical information**

**Hinge for flap doors with decelerated opening.  
Sprung closing action.**

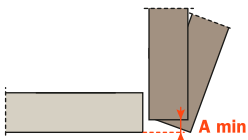
Fixing to the base of the cabinet with longitudinal snap-on mounting plate (BAPGR29/16).  
Standard drilling of the door  $\varnothing$  35.  
13 mm deep cup.  
90° opening.  
Fixed K = 4.5 mm.

**Pacta is tested and certified to level 3 of UNI EN 15828:2010**

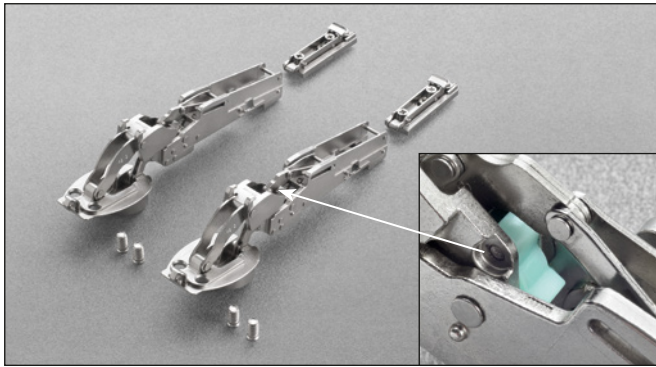
**Drilling patterns**



**Space needed to open the door**



T=	16	17	18	19	20	21	22	23	24	25	26	27	28
K=4.5	A= 1.3	2.1	3	3.9	4.8	5.7	6.6	7.5	8.5	9.4	10.4	11.3	12.3



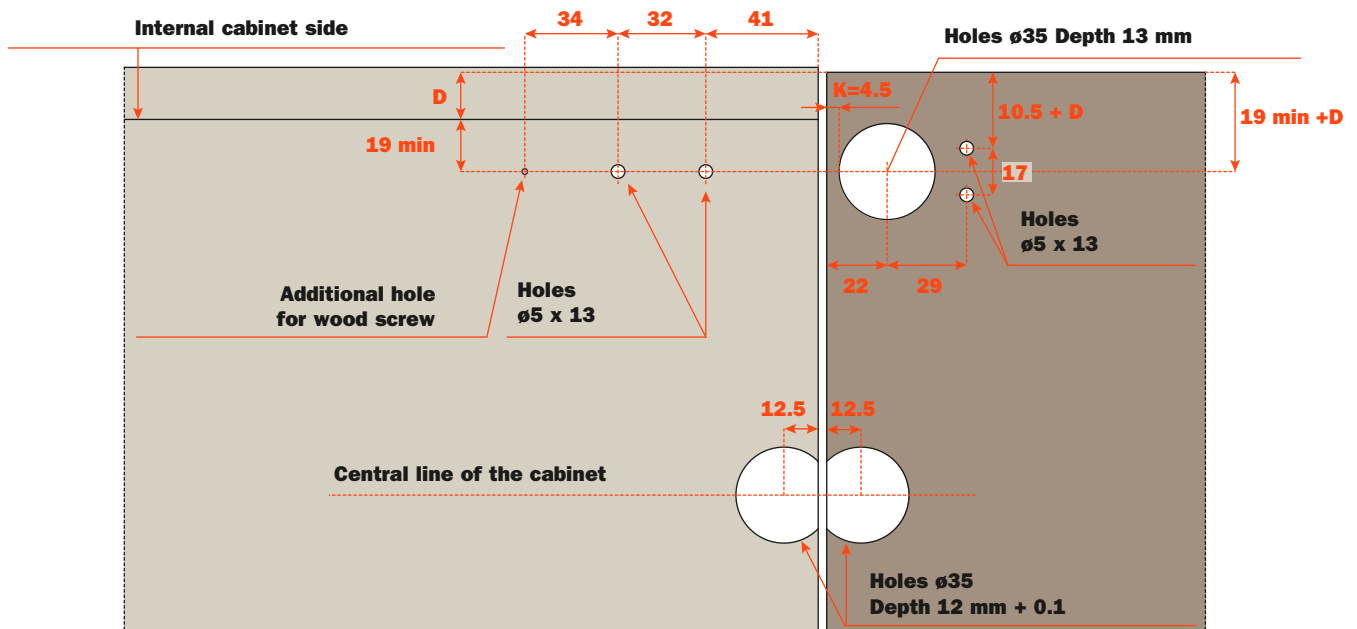
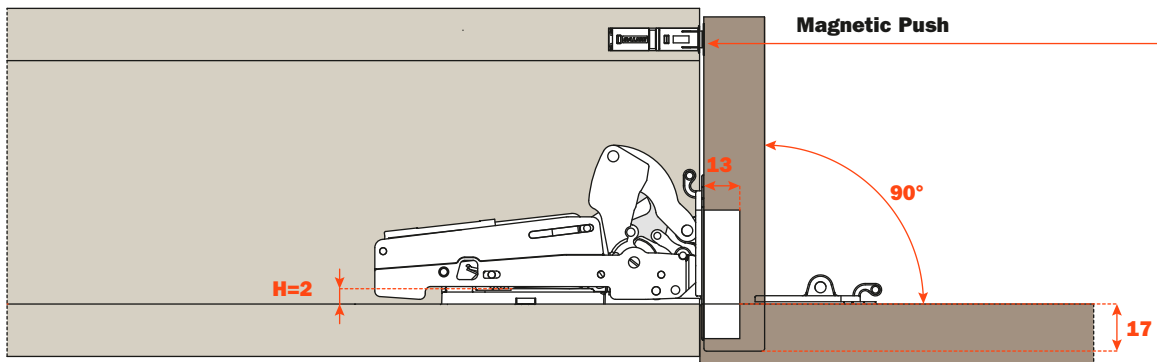
### Technical information

**Hinge for flap doors with decelerated opening.  
Push opening.**

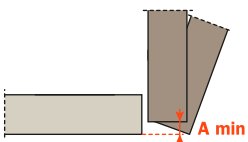
Fixing to the base of the cabinet with longitudinal snap-on mounting plate (BAPGR29/16).  
Standard drilling of the door  $\varnothing$  35.  
13 mm deep cup.  
90° opening.  
Fixed K = 4.5 mm.

**Pacta is tested and certified to level 3 of UNI EN 15828:2010**

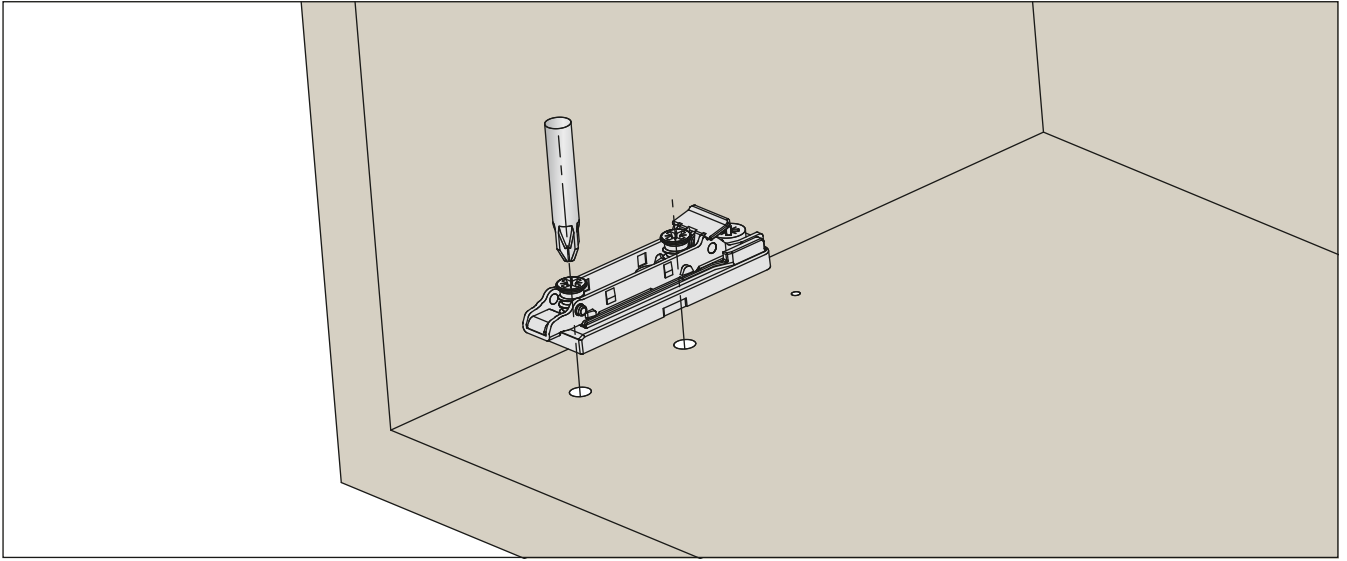
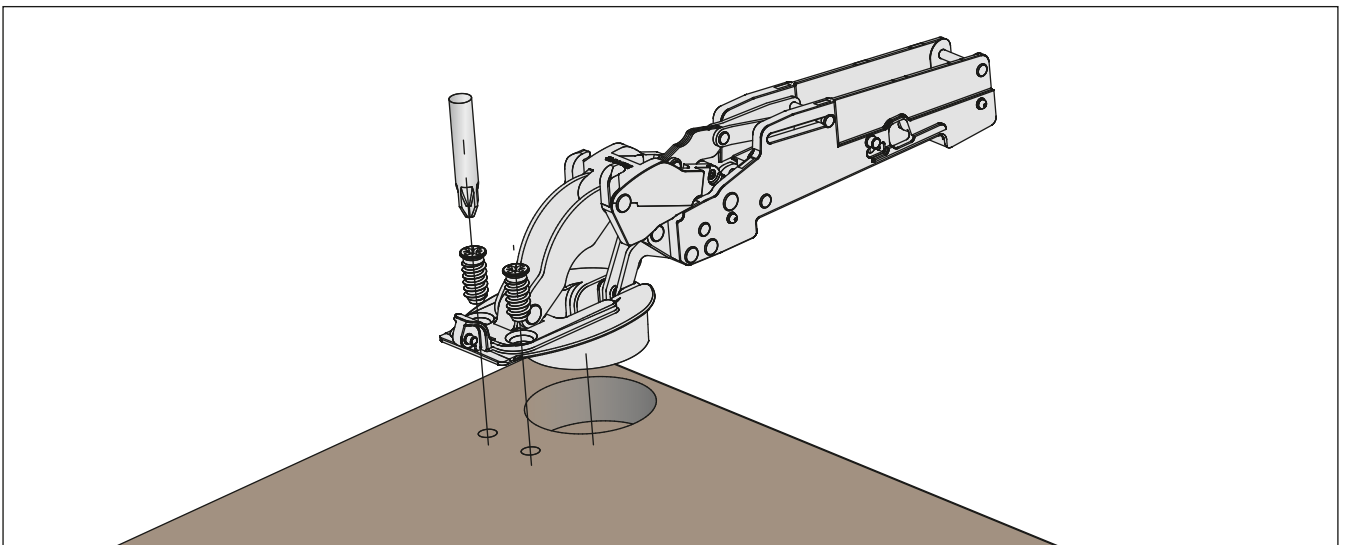
### Drilling patterns



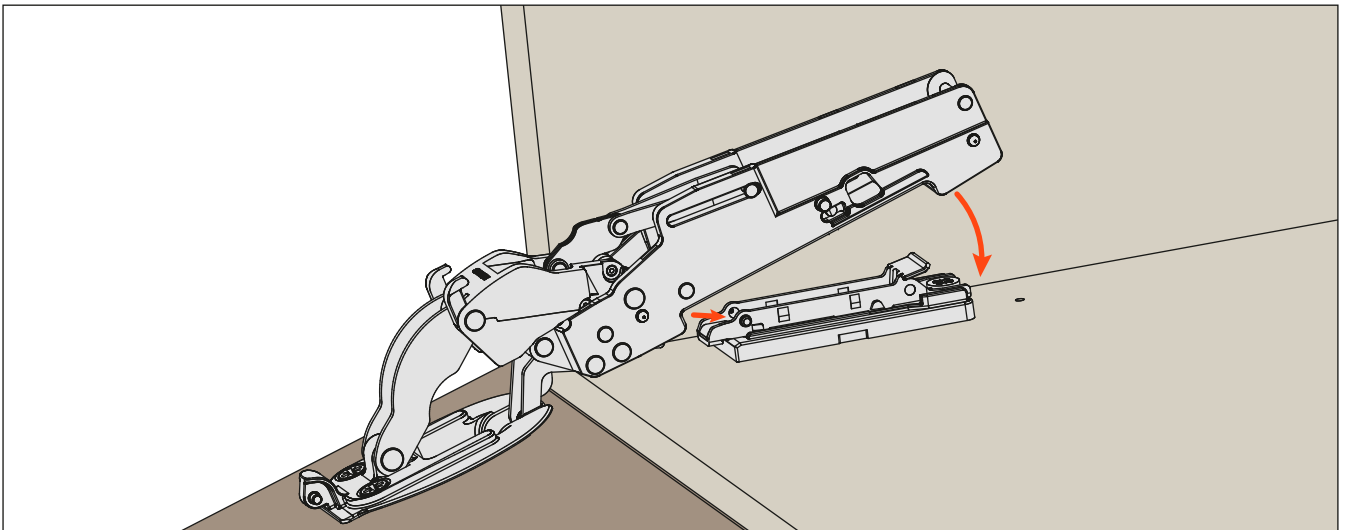
### Space needed to open the door



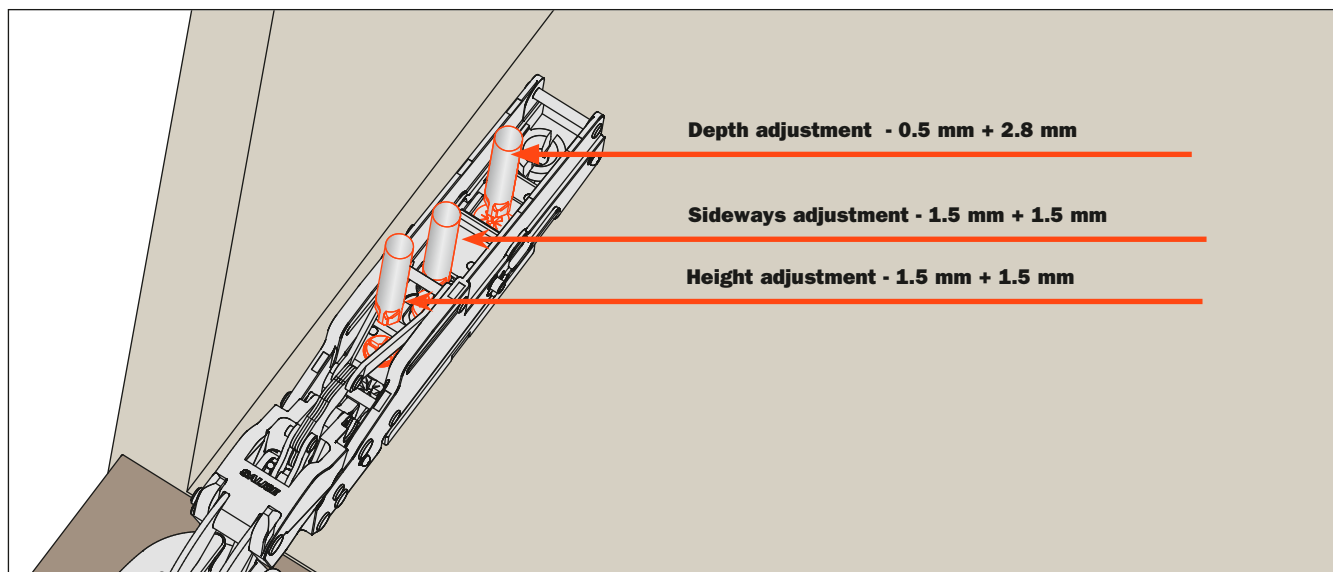
T=	16	17	18	19	20	21	22	23	24	25	26	27	28
K=4.5	<b>A=</b> 1.3	2.1	3	3.9	4.8	5.7	6.6	7.5	8.5	9.4	10.4	11.3	12.3

**PACTA - Assembly instructions****Fixing the mounting plate to the cabinet****Fixing the hinge to the door****Mounting the door onto the cabinet**

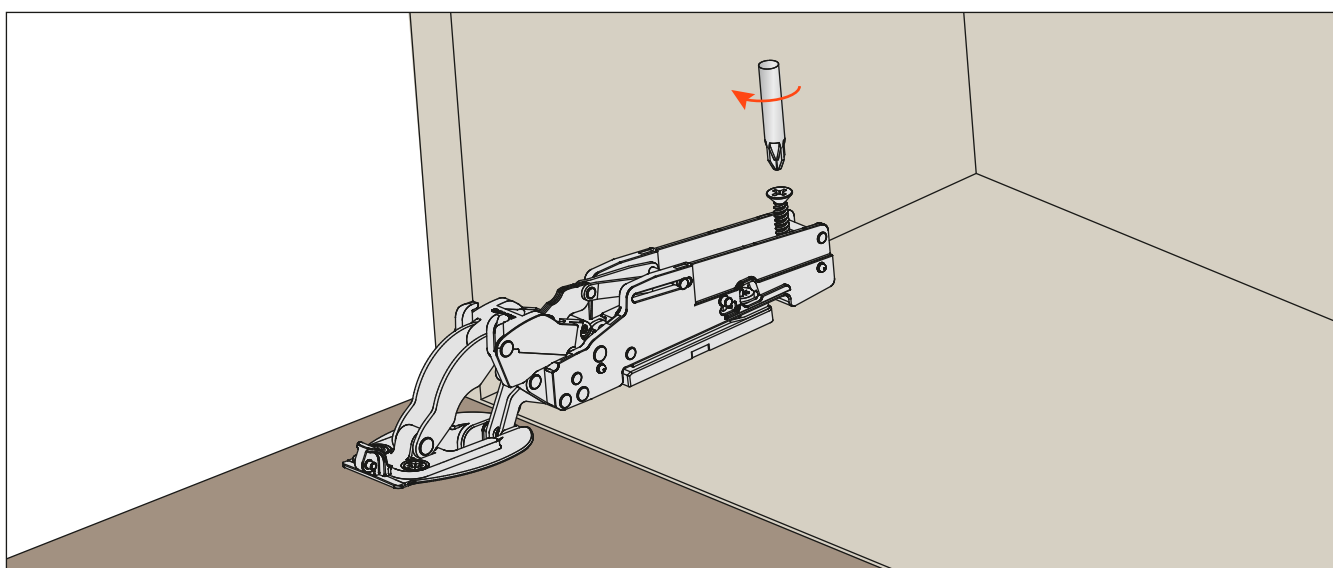
Clip the hinge arm onto the mounting plates. This operation is tool free.



## Adjustments

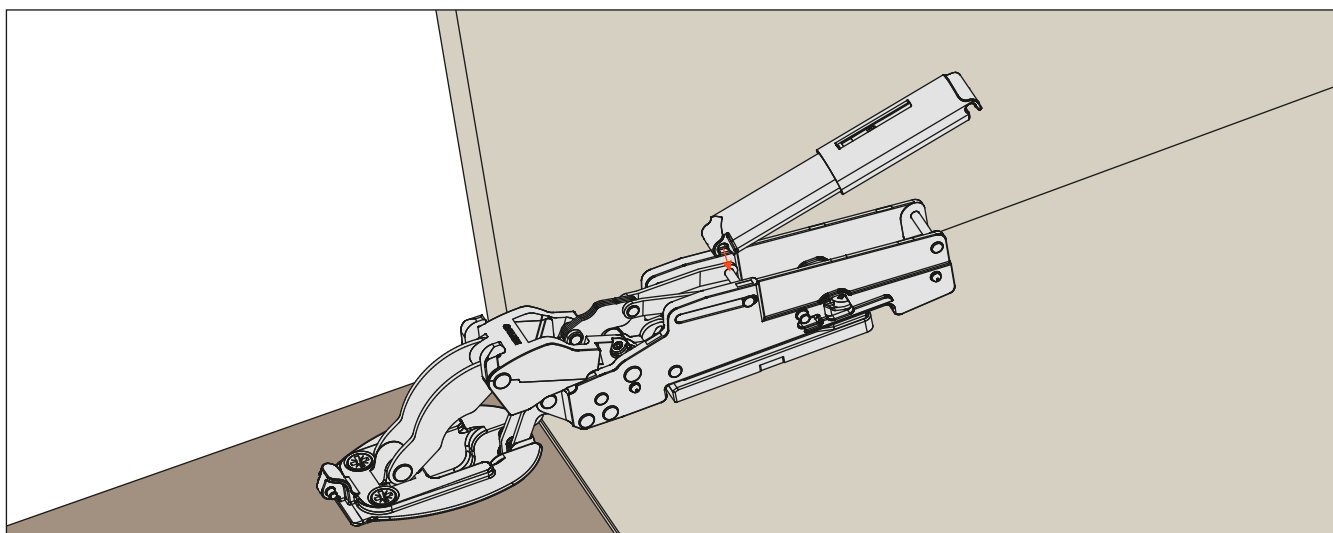


## Fix the security screw



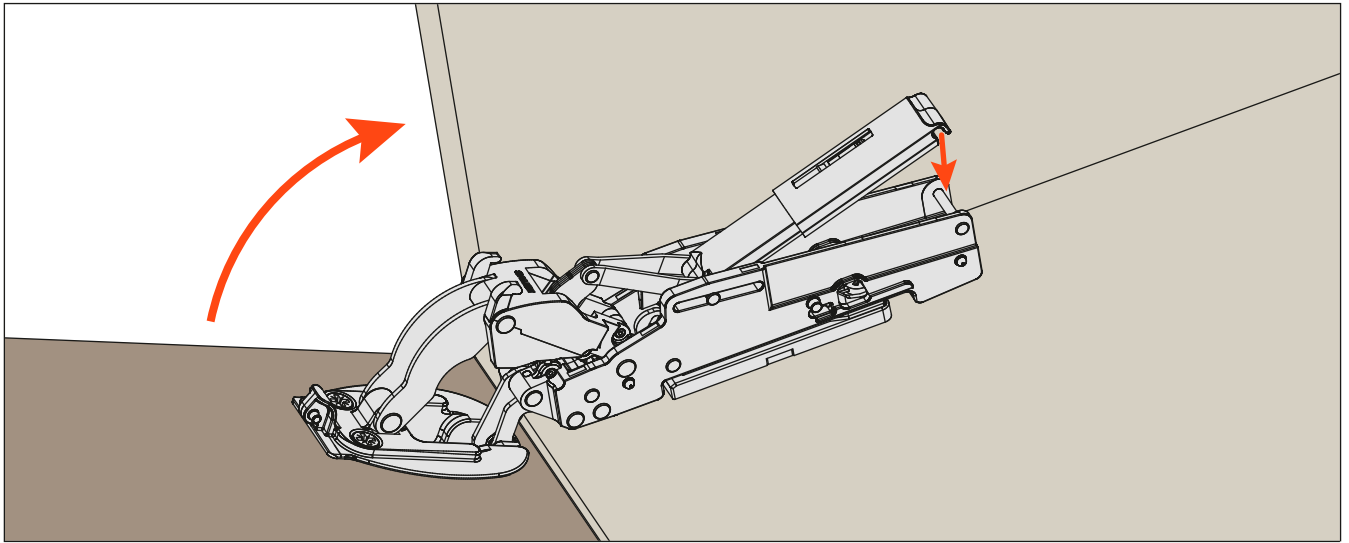
## Installing the Smove

Clip the narrow end of the Smove into position. This operation is tool free.

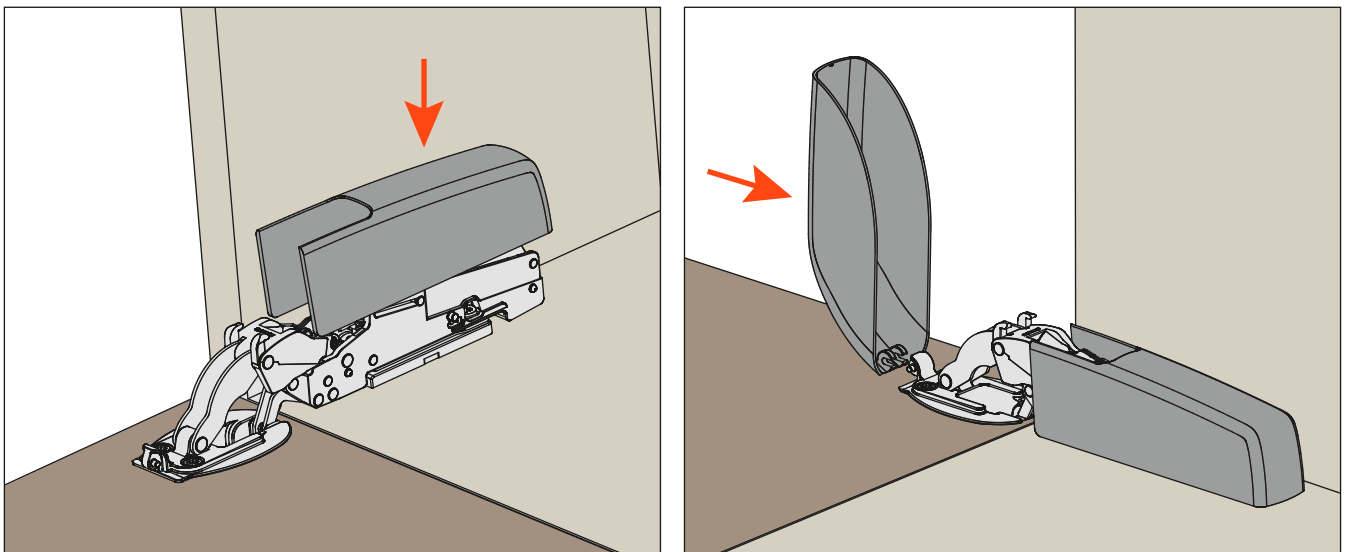
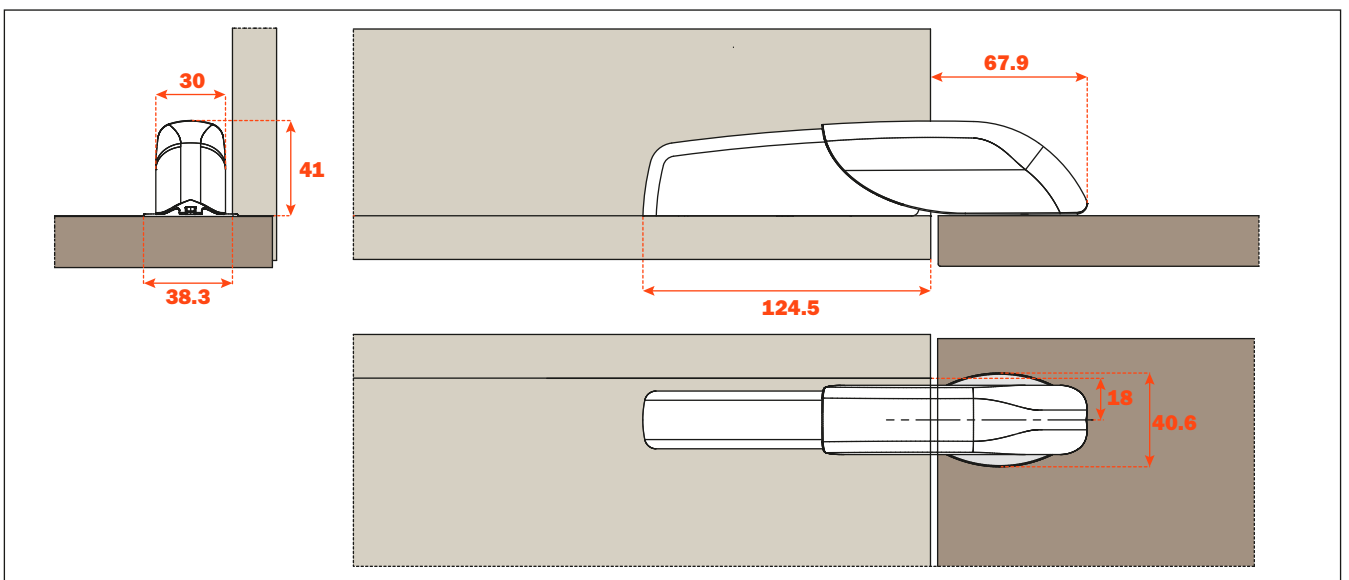


**PACTA - Assembly instructions**

Lift the flap slightly and clip the other end of the Smove into position. This operation is tool free.

**Installing the cover**

Firstly install the cover on the hinge arm and then to the cup.

**Dimensions**

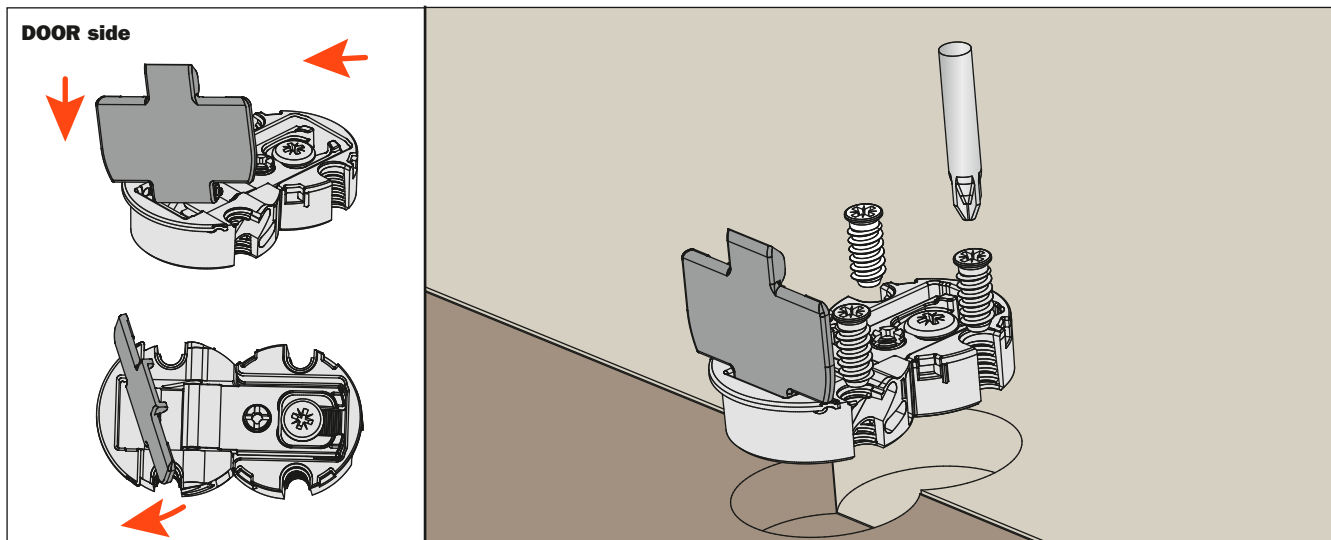


## Assembly instructions for the central hinge

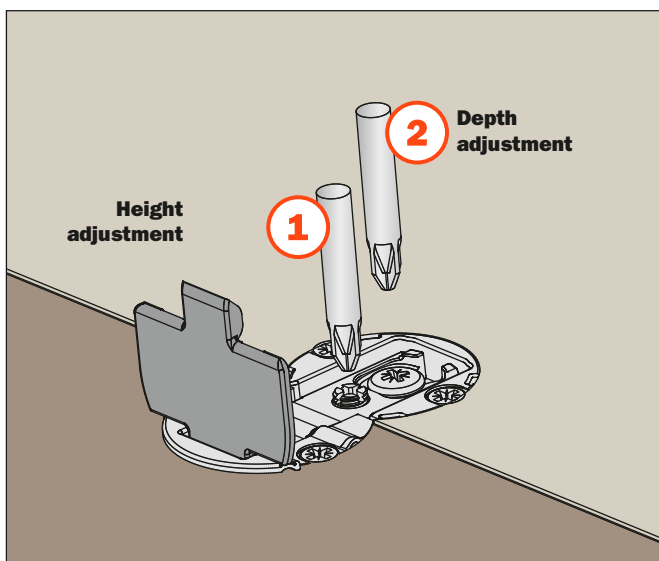
### Application of the central hinge

We suggest that you use the central hinge for cabinets over 900 mm width.

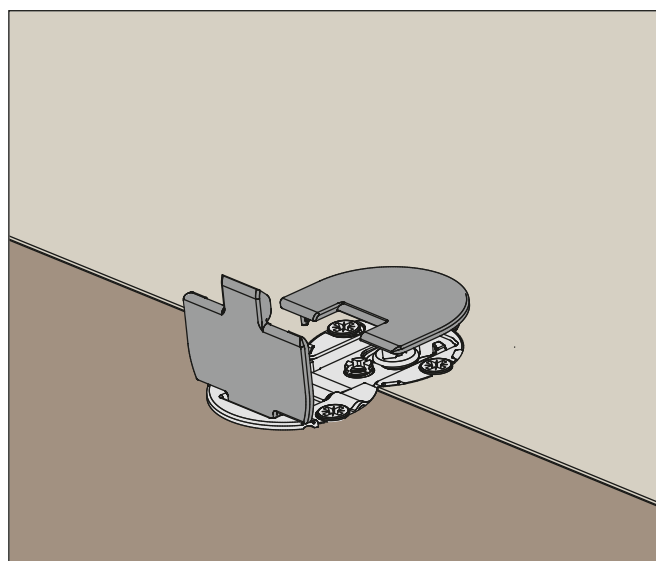
Install the cover cap onto the hinge according to the drawing and then screw-fix the hinge to the cabinet.



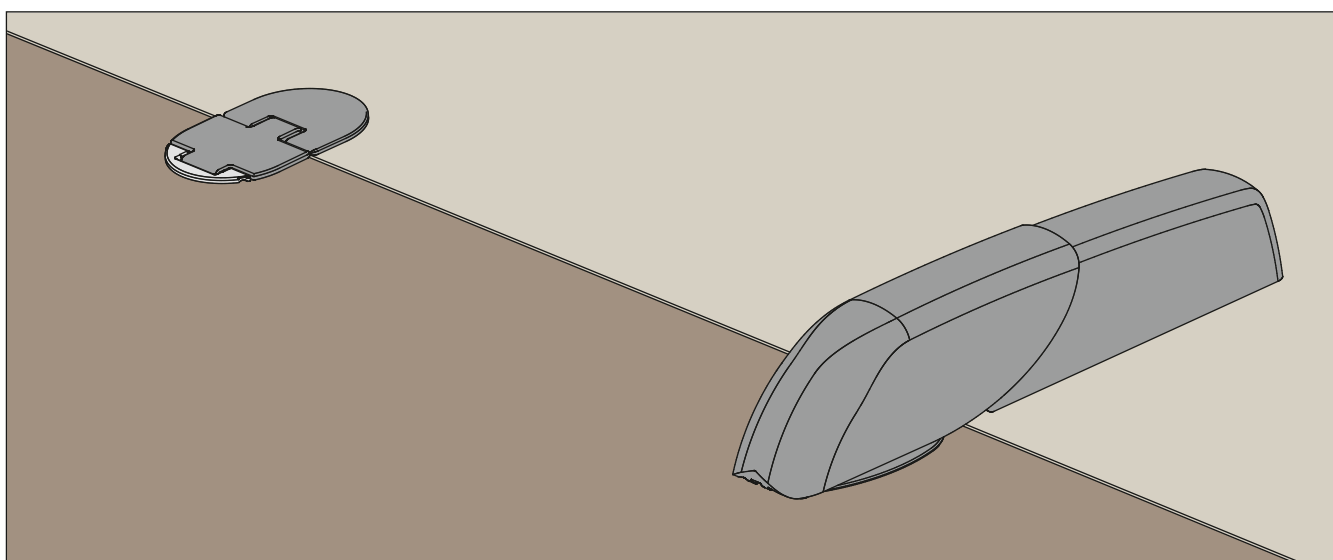
**After fixing the hinge, make any adjustments required**

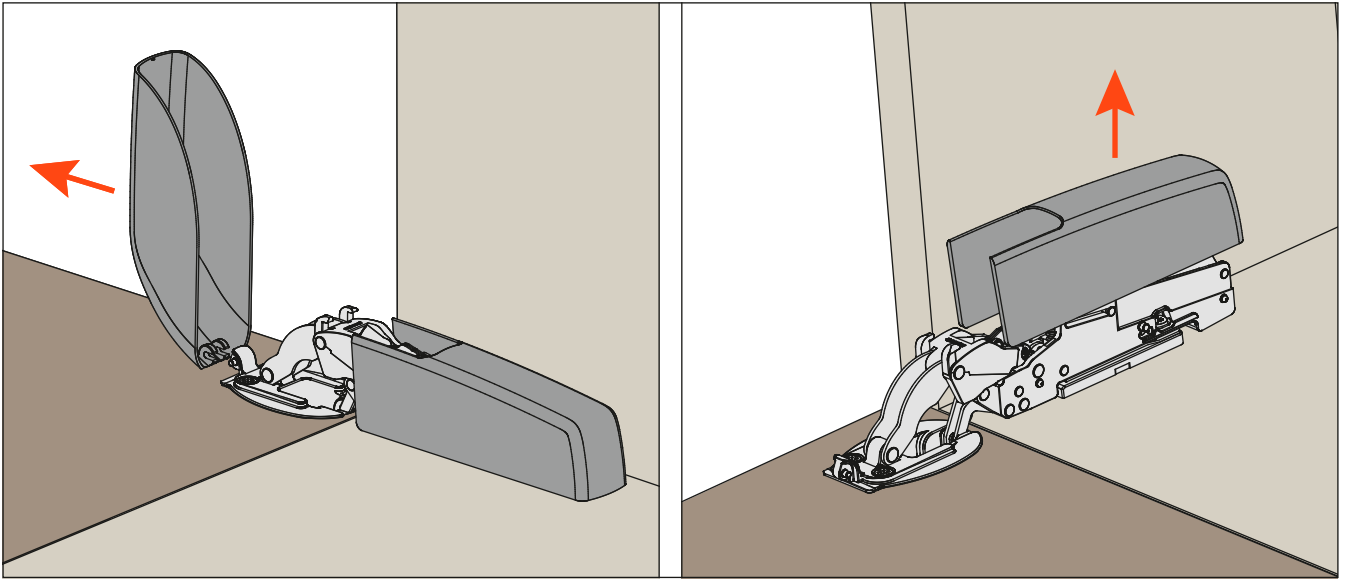


**Install the cover cap onto the hinge on the cabinet side**

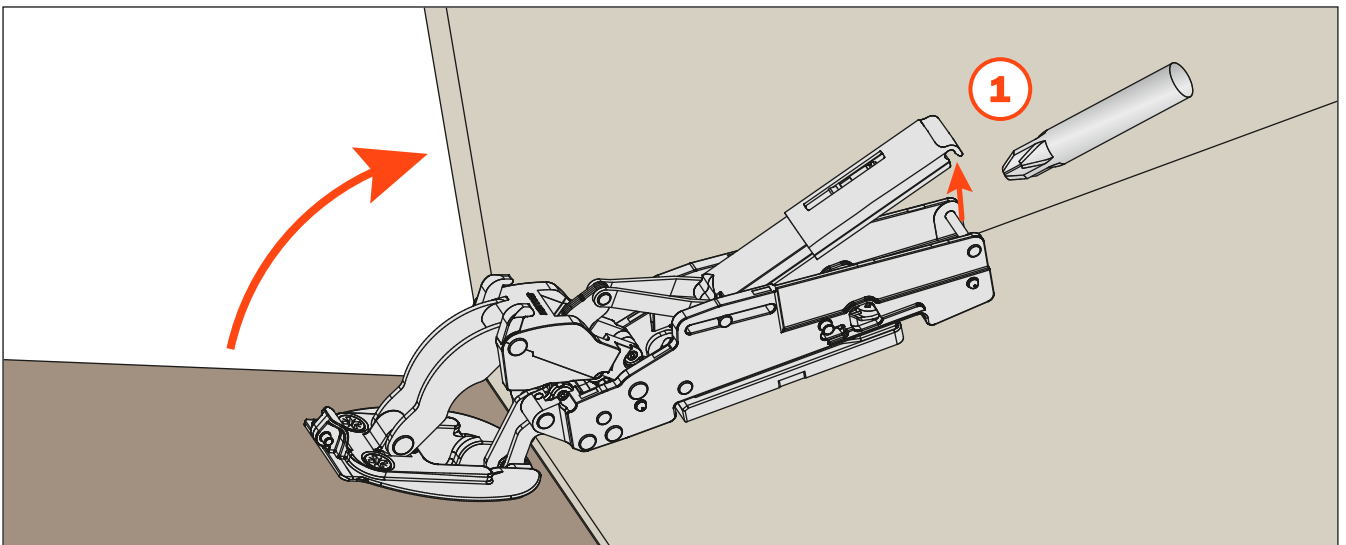


**Overall view of the mounted system**

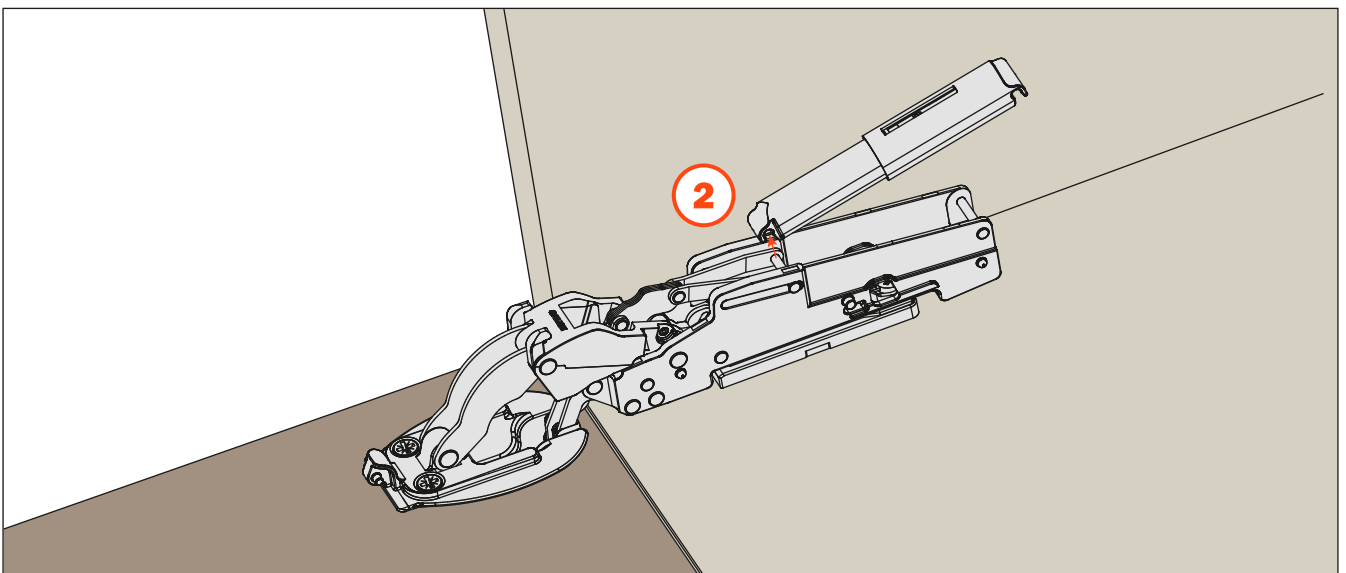


**PACTA - Disassembly instructions****Removal of the cover****Disassembly of the Smove**

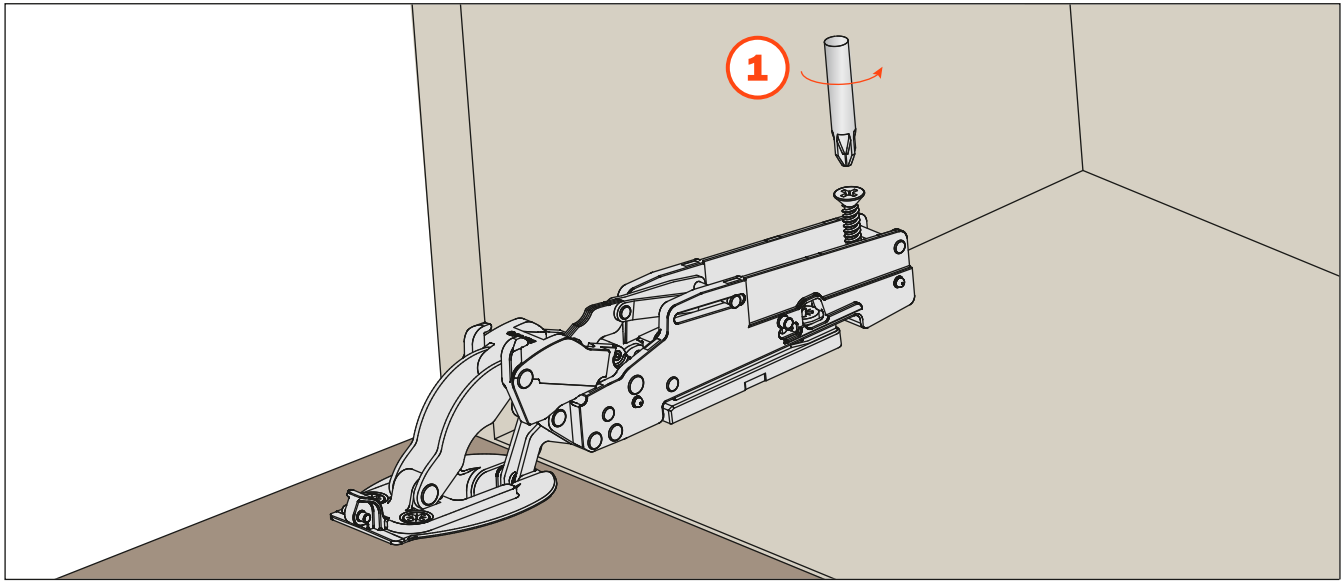
Lift the flap slightly and unclip the back of the Smove using a screwdriver.



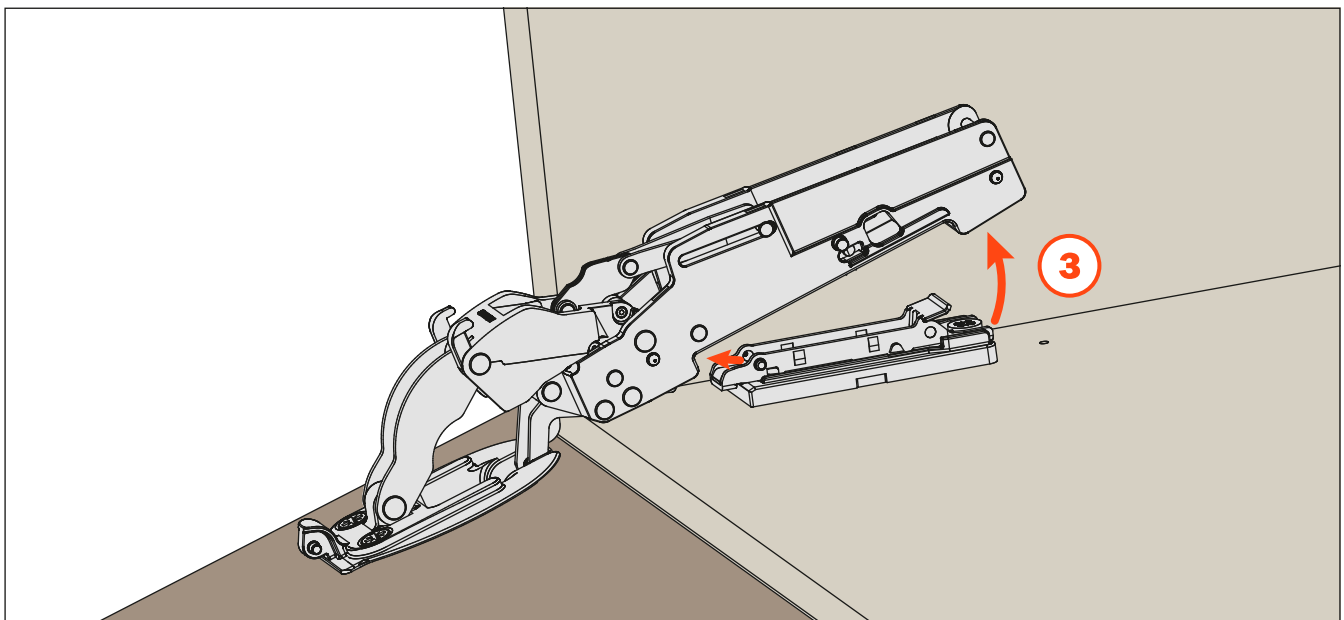
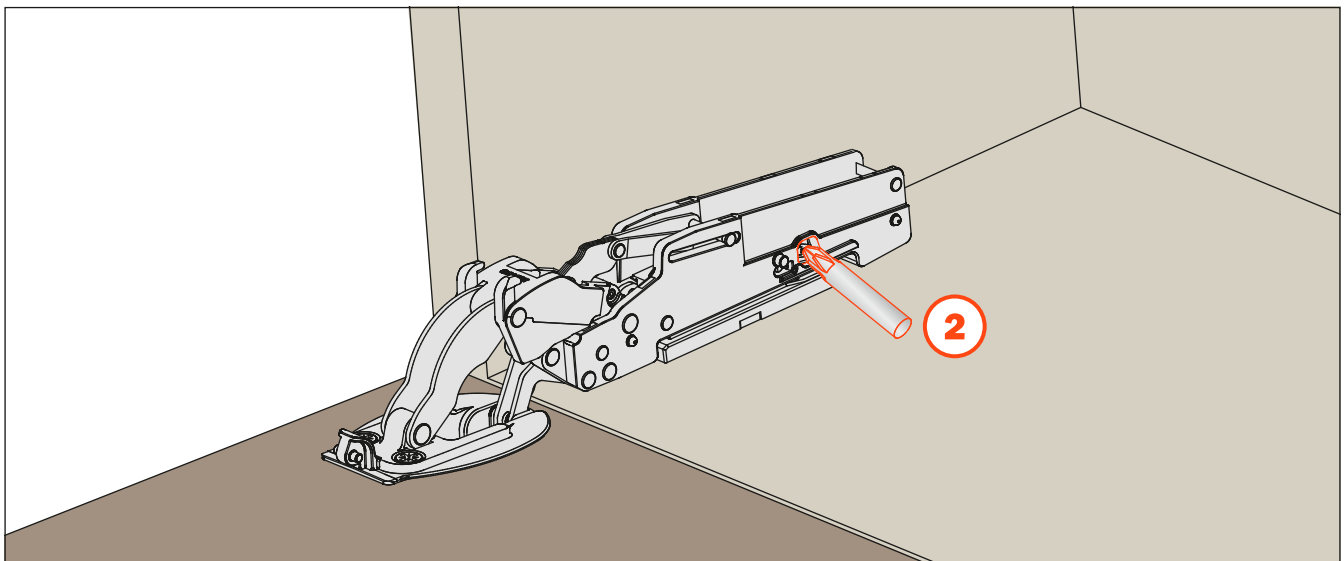
Remove the other end of the Smove.



**Remove the security screw**

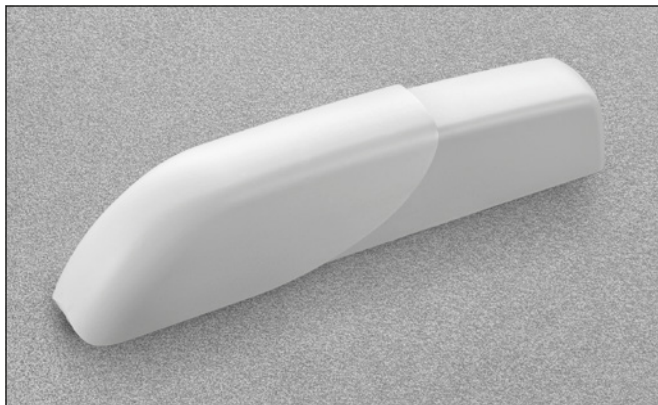


**Unfasten the hinge from the mounting plate with a screwdriver**

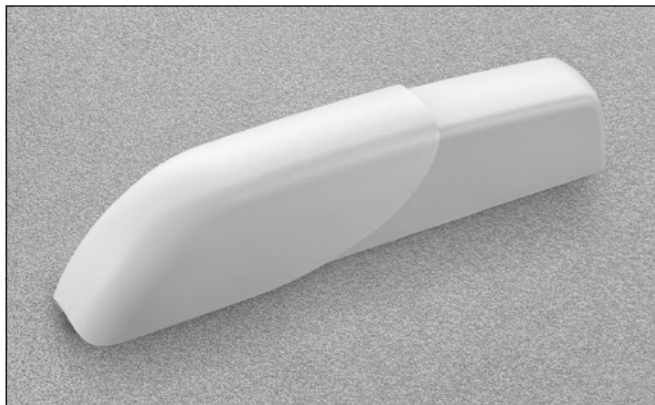


**PACTA - Colours of the cover****SRX B78A1XXXX\_**

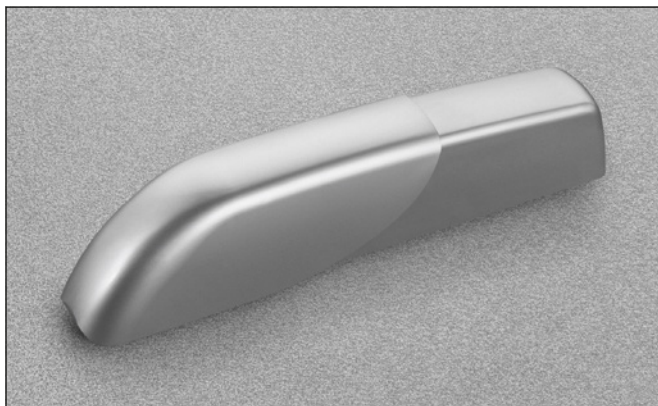
White

**SRXB78AQXXXX\_**

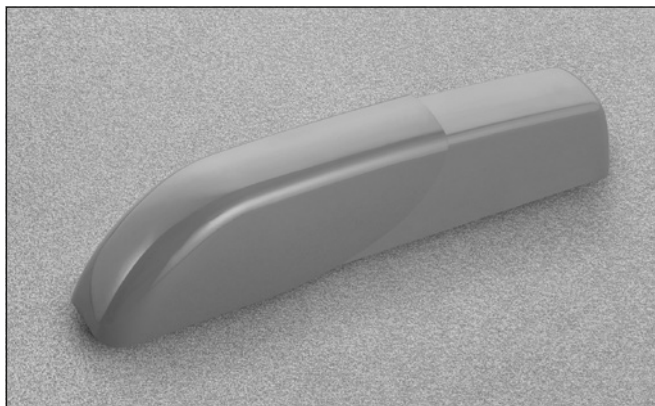
Glossy white

**SRXB78AIXXXX\_**

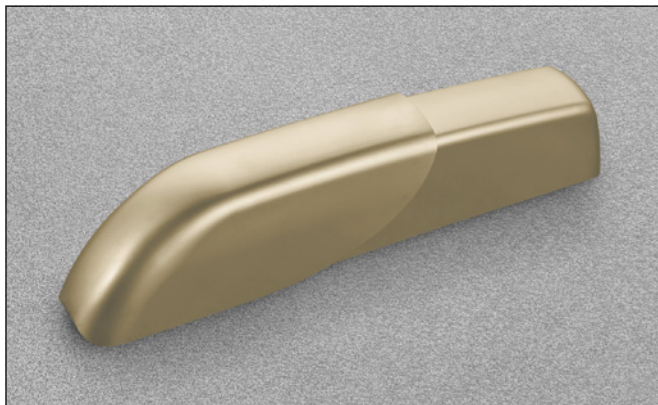
Stainless steel

**SRXB78AMXXXX\_**

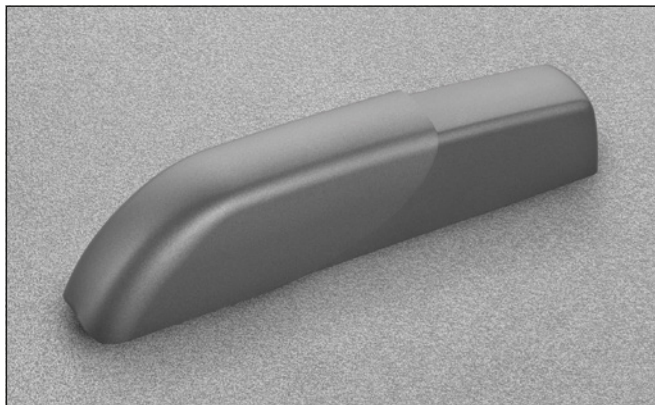
Grey

**SRXB78ACXXXX\_**

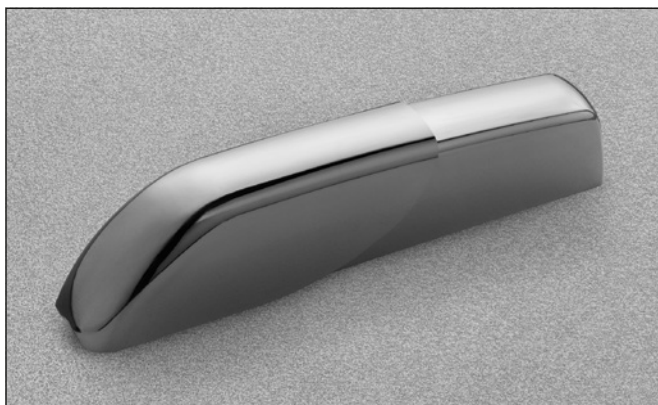
Champagne

**SRXB78A0XXXX\_**

Satin metal black

**SRXB78ANXXXX\_**

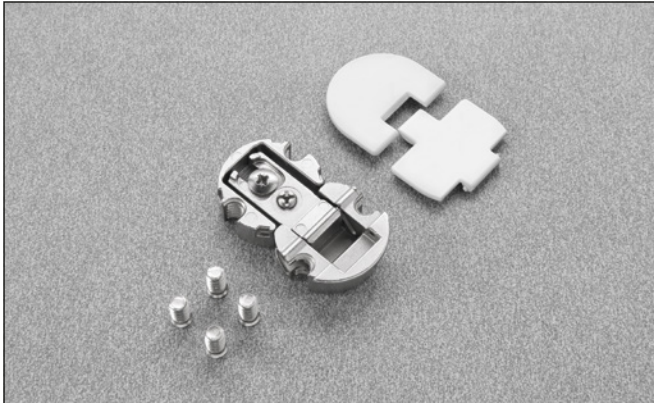
Glossy metal black



**Colours of the cover cap for the central hinge**

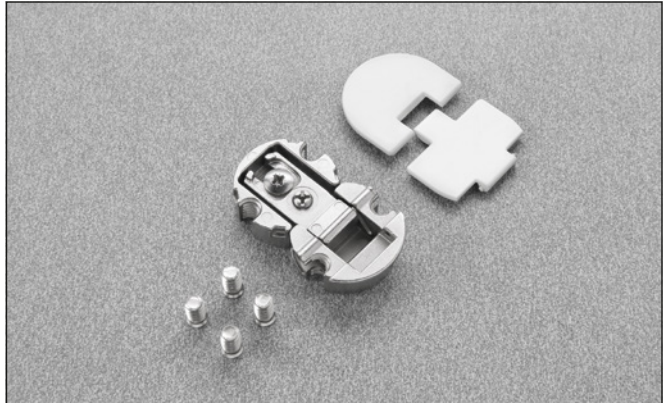
**FRCK59RXXX1**

White



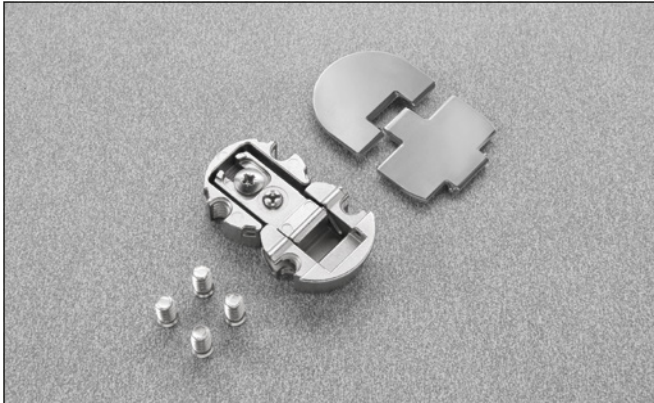
**FRCK59RXXXQ**

Glossy white



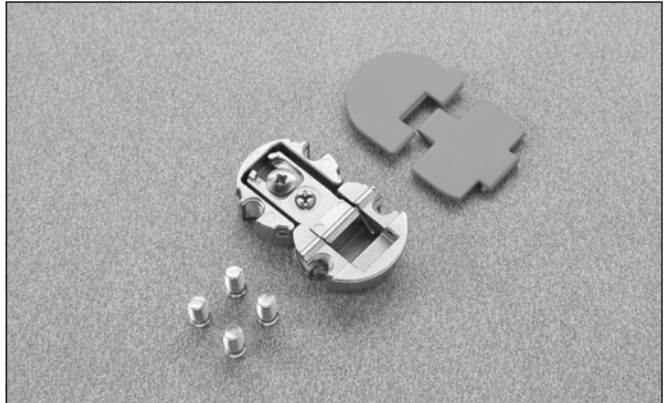
**FRCK59RXXXI**

Stainless steel



**FRCK59RXXXM**

Grey



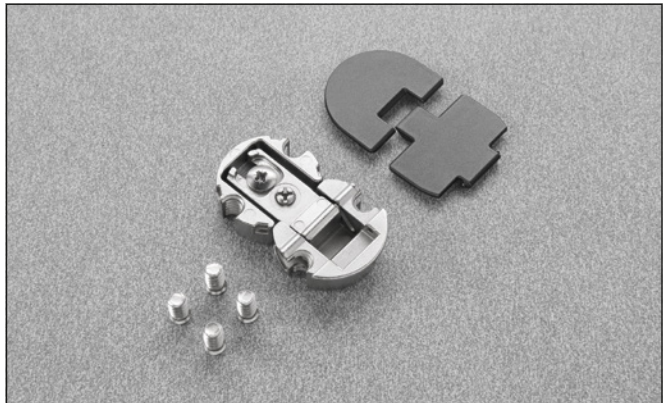
**FRCK59RXXXC**

Champagne



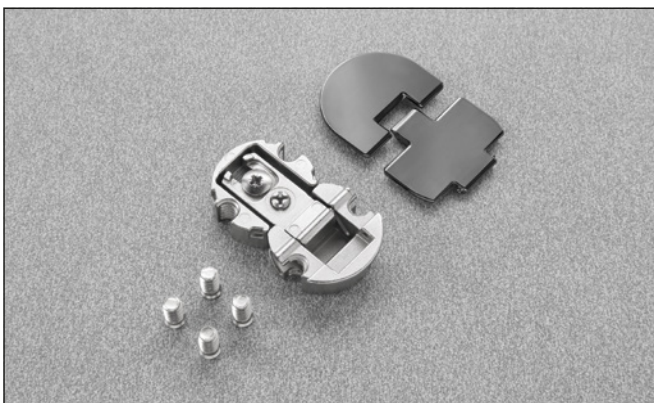
**FRCK59RXXX0**

Satin metal black

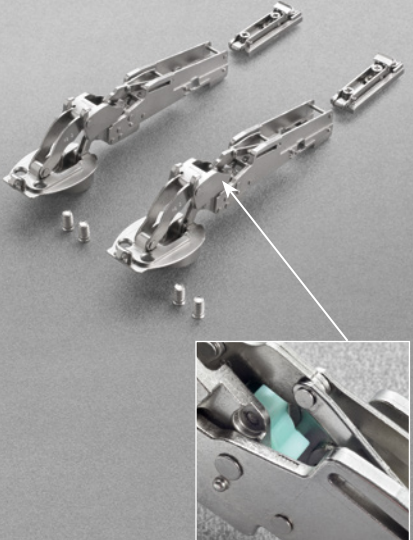



**FRCK59RXXXN**

Glossy metal black

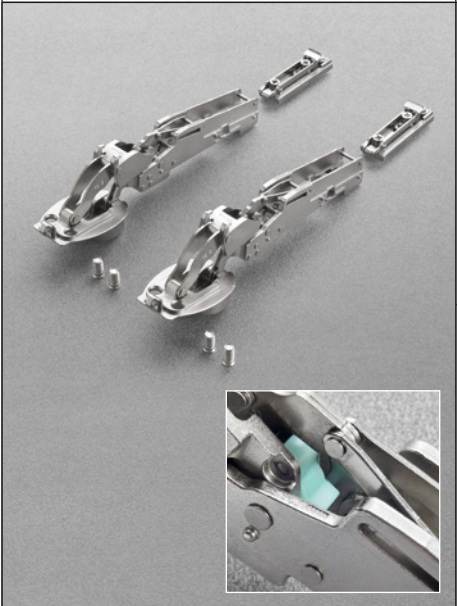


**PACTA - Packing**

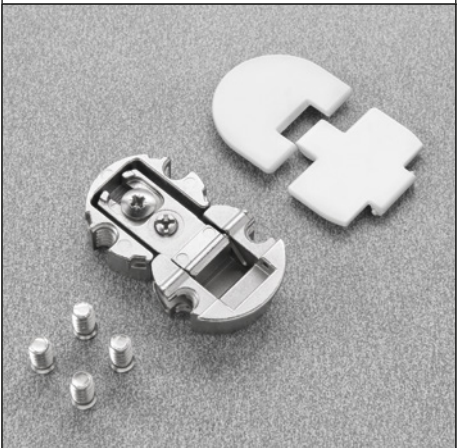
<b>INDUSTRIAL PACKING</b>	<b>PART NUMBER</b>	<b>CARTON</b>	<b>PALLET</b>
	<p><b>SPRUNG CLOSING ACTION</b></p> <p><b>FRBKINXXSN9</b></p>	<p>1 carton contains:</p> <p>18 hinges</p> <p>•</p> <p>18 mounting plates</p> <p>•</p> <p>Fixing screws included</p>	<p>24 cartons</p>
	<p><b>PUSH OPENING</b></p> <p><b>FRBKINPXS9</b></p>		

<b>SMOVE INDUSTRIAL PACKING</b>	<b>PART NUMBER</b>	<b>CARTON</b>	<b>PALLET</b>
	<p><b>DRB_XXYXI</b></p> <p>↑</p> <p><b>SMOVE DECELERATING STRENGTH</b></p>	<p>1 carton contains:</p> <p>18 pcs.</p>	<p>24 cartons</p>

<b>COVER INDUSTRIAL PACKING</b>	<b>PART NUMBER</b>	<b>CARTON</b>	<b>PALLET</b>
	<p><b>SRXB78A_XXXXI</b></p> <p>↑</p> <p><b>COLOUR OF THE COVER</b></p>	<p>1 carton contains:</p> <p>18 covers</p>	<p>24 cartons</p>

DOOR-SET PACKING	PART NUMBER	CARTON	PALLET
	<p><b>SPRUNG CLOSING ACTION</b></p> <p><b>FRBKFEX_SN9</b></p> <p>↑</p> <p><b>SMOVE DECELERATING STRENGTH</b></p>	<p>1 carton contains:</p> <ul style="list-style-type: none"> <li>2 hinges</li> <li>•</li> <li>2 mounting plates</li> <li>•</li> </ul> <p>Fixing screws and Smove included</p>	<p>180 cartons</p>
<p><b>PUSH OPENING</b></p> <p><b>FRBKFEP_SN9</b></p> <p>↑</p> <p><b>SMOVE DECELERATING STRENGTH</b></p>			

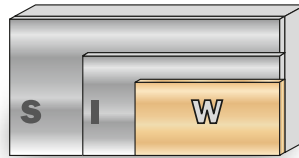
COVER DOOR-SET PACKING	PART NUMBER	CARTON	PALLET
	<p><b>SRXB78A_XXXXF</b></p> <p>↑</p> <p><b>COLOUR OF THE COVER</b></p>	<p>1 carton contains:</p> <ul style="list-style-type: none"> <li>2 covers</li> </ul>	<p>180 cartons</p>

CENTRAL HINGE	PART NUMBER	CARTON	PALLET
	<p><b>FRCK59RXXX</b></p> <p>↑</p> <p><b>COLOUR OF THE COVER CAP</b></p> <p>Suggested for cabinets over 900 mm width</p>	<p>1 carton contains:</p> <ul style="list-style-type: none"> <li>45 hinges</li> <li>45 cover caps for door</li> <li>45 cover caps for cabinet</li> <li>•</li> </ul> <p>Fixing screws included</p>	<p>36 cartons</p>

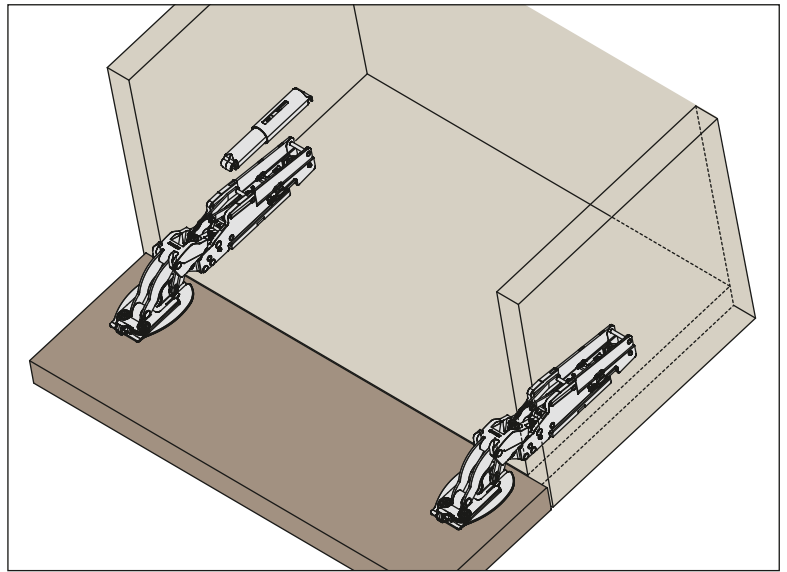
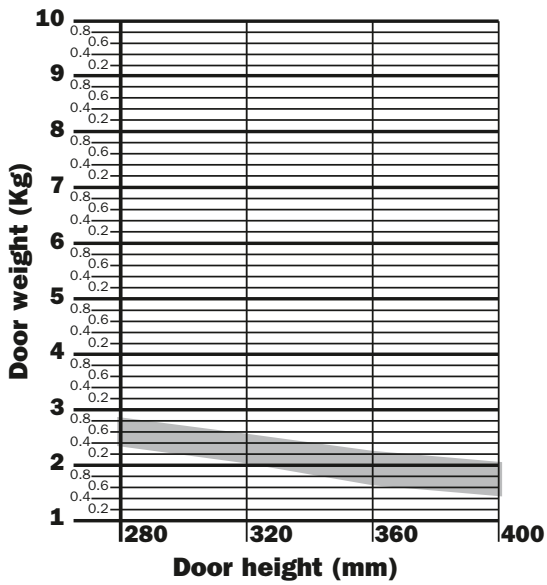
**PACTA - Charts**

Charts to determine which Smove is to be used for a particular door size and weight. We recommend that all applications are verified by a practical trial.

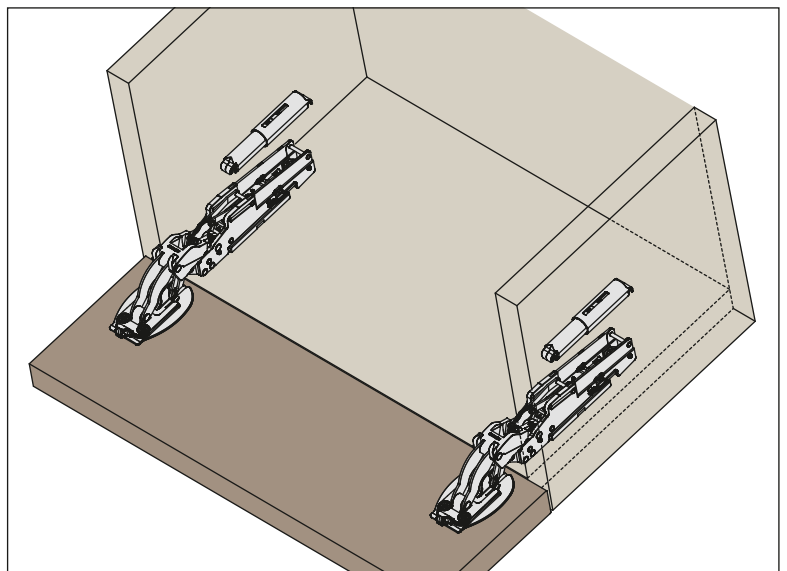
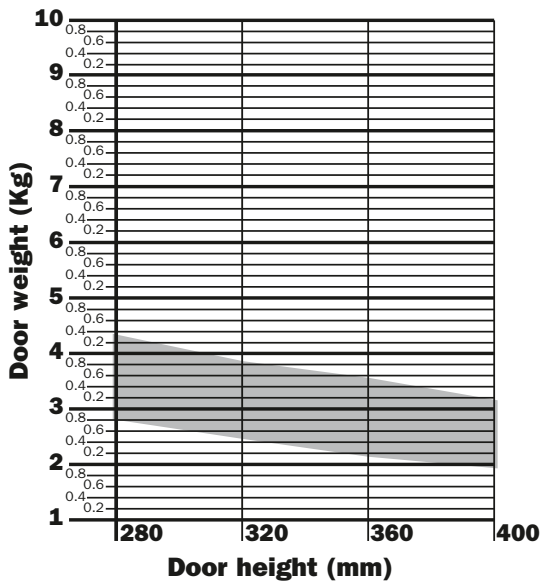
**DRBWXXYXI**



With particularly light doors, it may be sufficient to use only one Smove

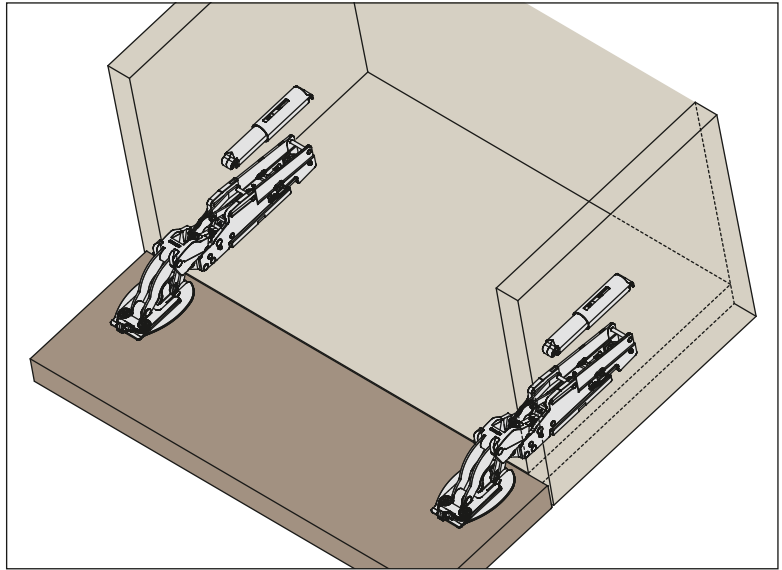
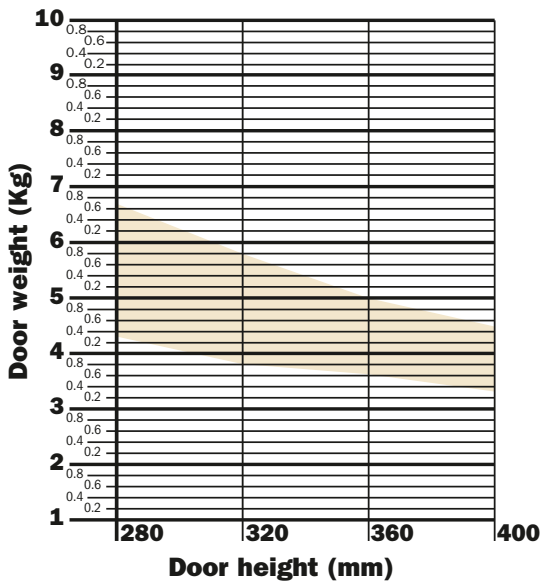
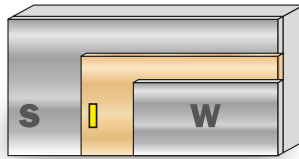


**DRBWXXYXI**

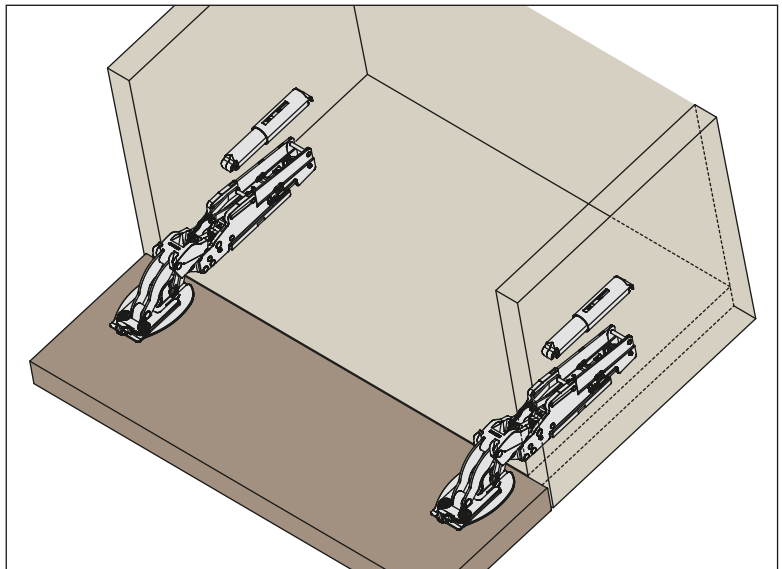
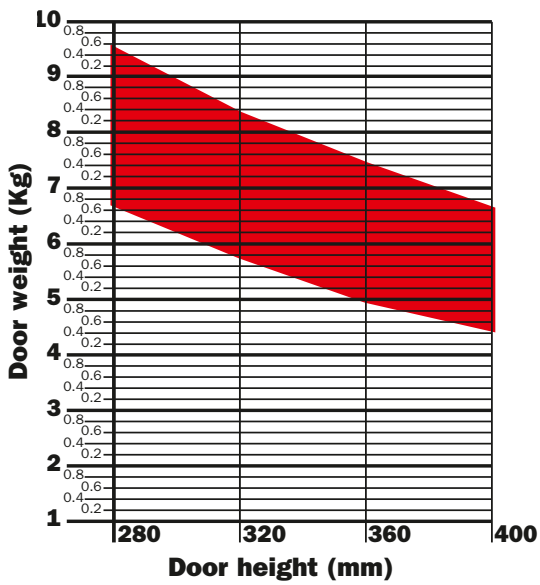
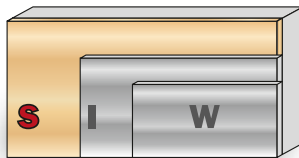
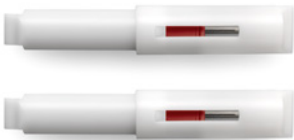




## DRBIXXYXI



## DRBSXXYXI







# Magnetic Push

**Magnetic Push - Recessed magnetic release device and retaining catches**

**DPMSNB** - beige



**DPMSNG** - grey



Magnetic catch  
 ø 10 mm, 40 mm length.

**Packing**  
 Boxes 250 pcs.  
 Cartons 1.500 pcs.

**DPASNB** - beige



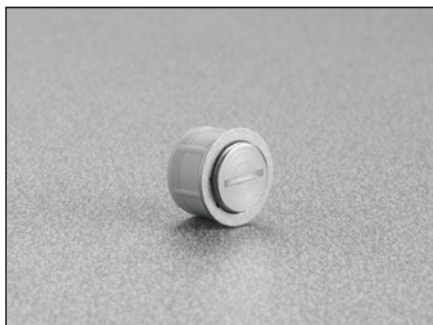
**DPASNG** - grey



Optional supplementary magnetic catch to increase the holding strength. It must always be used together with the DPM. The suggested position of the DPM is the point of pressure on the door. The DPA can be positioned at any point along the opening edge of the door.  
 ø 10 mm, 40 mm length.

**Packing**  
 Boxes 250 pcs.  
 Cartons 1.500 pcs.

**DP39XXG**



Adjustable magnetic retaining catch.  
 ø16.6 mm

**Packing**  
 Boxes 250 pcs.

**DP28SN9**



Pin-fix striker for magnetic catches.  
 ø 11.5 mm.

**Packing**  
 Boxes 250 pcs.

**DP38XX91**



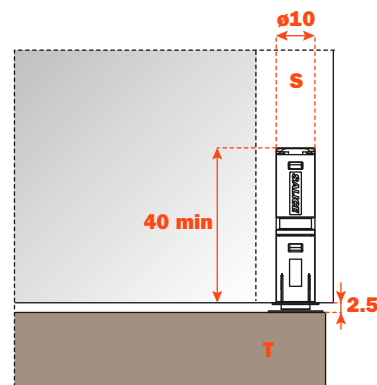
Self-adhesive striker for magnetic catches.  
 20x14 mm.

**Packing**  
 Boxes 250 pcs.

## Release device application

### Application of the standard magnetic catch

Drill a hole  $\varnothing$  10 mm and min. 40 mm depth in the top, the side or the base panel of the cabinet.  
Insert the release device into the hole.

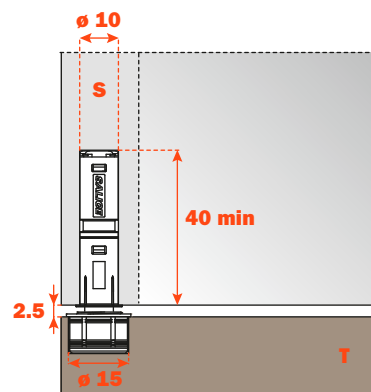


### Inserted adjustable magnetic catch

The retaining catch DP39 is itself magnetic and together with the magnetism of the release device DPM considerably increase (30%) the holding strength of the door against the cabinet side, thus avoiding accidental openings.

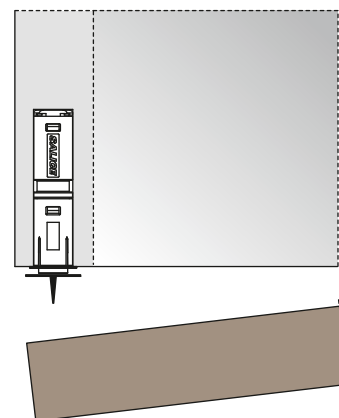
For the installation it is necessary to drill a hole  $\varnothing$ 15 mm and 11 mm depth in the door.

Depth adjustment from -0.5 mm to +2.5 mm.



### Pin-fix striker

Apply the retaining catch to the magnetic release device.  
Close the door.  
The point of the retaining catch will show where to insert it.  
Reopen the door and drive in the pin to fix in position.



### Self-adhesive striker

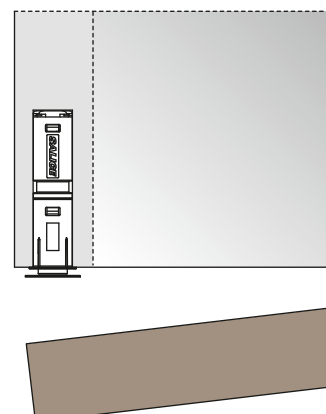
Apply the retaining catch to the magnetic release device. Remove the protective strip from the adhesive. Close the door. In this way the retaining catch is positioned on the door. Reopen the door and apply a firm pressure to the retaining catch to ensure a correct installation.

#### ATTENTION:

For a correct application and to ensure optimal endurance, we suggest these guidelines are followed:

- 1 - clean and degrease the door surface where the retaining catch is to be installed;
- 2 - remove the protective strip from the adhesive;
- 3 - place the retaining catch in position, in a place that is at room temperature  $\geq 10^\circ$  and apply a firm pressure for 10-15 seconds.

After few seconds from the installation the retaining catch is suitable for the use.  
After 24h the max. hold is attained.







## ARTURO SALICE S.p.A.

VIA PROVINCIALE NOVEDRATESE, 10  
22060 NOVEDRATE (COMO) ITALIA  
TEL. 031 790424 - FAX 031 791508  
info.salice@salice.com - www.salice.com

### DEUTSCHE SALICE GMBH

RUDOLF DIESEL STR. 10  
74382 NECKARWESTHEIM  
TEL. 07133 9807-0  
FAX. 07133 9807-16  
info.salice@deutschesalice.de  
www.salice.com

### DEUTSCHE SALICE GMBH

VERKAUFSBÜRO NORD  
RINGSTRASSE 36/A30 CENTER  
32584 LÖHNE  
TEL. 05731 15608-0  
FAX. 05731 15608-10  
vknord@deutschesalice.de  
www.salice.com

### SALICE UK LTD.

KINGFISHER WAY  
HINCHINGBROOKE BUSINESS PARK  
HUNTINGDON CAMBS PE 29 6FN  
TEL. 01480 413831  
FAX. 01480 451489  
info.salice@saliceuk.co.uk  
www.salice.com

### SALICE FRANCE S.A.R.L.

285 RUE DE GOA ZAC LES 3 MOULINS  
06600 ANTIBES  
TEL. 0493 330069  
FAX. 0493 330141  
info.salice@salicefrance.com  
www.salice.com

### SALICE ESPAÑA, S.L.U.

C/ AIGUAFREDA 4, P.I. AMETLLA PARK  
08480 L'AMETLLA DEL VALLÈS (BARCELONA)  
TEL. 0034 938 46 88 61  
info.salice@saliceespana.es  
www.salice.com

### SALICE PORTUGAL UNIP. LDA

#### SHOWROOM:

TV SÁ E MELO 161 FA  
4470-116 MAIA - PORTO  
TEL: 00351 224 154 221  
Info@saliceportugal.pt  
www.salice.com

#### ARMAZÉM:

VIA ROTA DOS MÓVEIS I 399  
4585-325 GANDRA

### SALICE CHINA (SHANGHAI) CO. LTD.

1st FLOOR, B1 BLDG 928 MINGZHU ROAD  
XUJING, QINGPU DISTRICT  
SHANGHAI 201702 - CHINA  
TEL. 021 3988 9880  
FAX. 021 3988 9882  
info.salice@salicechina.com  
www.salicechina.com

### SALICE INDIA PVT. LTD.

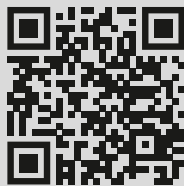
1001 & 1002, 10TH FLOOR,  
CENTRUM, PLOT NO. C-3,  
OPP. WAGLE PRABHAG SAMITI OFFICE,  
MIDC AREA, WAGLE INDUSTRIAL ESTATE,  
THANE - 400604, MAHARASHTRA  
TEL. 022 20812050  
info@saliceindia.com  
www.salice.com

### SALICE CANADA INC.

3500 RIDGEWAY DRIVE,  
UNIT#1  
MISSISSAUGA, ONTARIO, L5L 0B4  
TEL. 905 820 8787  
FAX. 905 820 7226  
info.salice@salicecanada.com  
www.salicecanada.com

### SALICE AMERICA INC.

2123 CROWN CENTRE DRIVE  
CHARLOTTE NC. 28227  
TEL. 704 841 7810  
FAX. 704 841 7808  
info.salice@saliceamerica.com  
www.saliceamerica.com



**Digital contents**