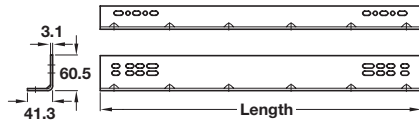
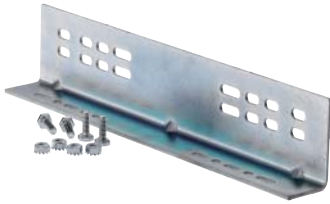


Mounting brackets for Accuride 7957, 9301 and 9308



- > 4 bottom and 2 side mount options
- > Four bracket lengths can be used, either individually or in combination, to cover all runner lengths
- > See the charts below to determine the number of bracket sets required
- > Unhanded brackets
- > Order qty: 1 pair

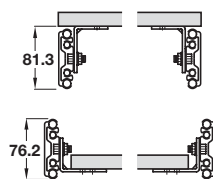
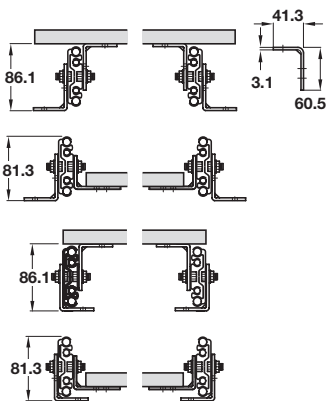


> For use with Accuride 7957, 9301 and 9308 runners shown on pages **311-313**

Length	Cat. No.
305 mm	422.10.010
406 mm	422.10.011
559 mm	422.10.012
711 mm	422.10.013

B = Bottom-Mount

S = Side-Mount



Mounting bracket selection for Accuride 9301 runners

Bracket Runner	422.10.010		422.10.011		422.10.012		422.10.013	
	S	B	S	B	S	B	S	B
422.10.930	1	2	-	-	-	-	-	-
422.10.935	1	2	-	-	-	-	-	-
422.10.940	-	-	1	2	-	-	-	-
422.10.945	-	-	1	2	-	-	-	-
422.46.950	-	-	1	2	-	-	-	-
422.46.960	-	-	-	-	1	2	-	-
422.46.965	-	-	-	-	1	2	-	-
422.46.970	-	-	-	-	-	-	1	2
422.46.975	-	-	-	-	-	-	1	2
422.46.980	-	-	-	-	-	-	1	2
422.46.985	2	4	-	-	-	-	-	-
422.46.990	2	4	-	-	-	-	-	-
422.46.994	1	2	-	-	1	2	-	-
422.10.995	1	2	-	-	-	1	1	1
422.46.996	1	2	-	-	-	-	1	2
422.46.998	-	-	-	-	1	2	1	2

Mounting bracket selection for Accuride 7957 runners

Bracket Runner	422.10.010		422.10.011		422.10.012		422.10.013	
	S	B	S	B	S	B	S	B
432.48.831	1	2	-	-	-	-	-	-
432.48.836	1	2	-	-	-	-	-	-
432.48.841	-	-	1	2	-	-	-	-
432.48.846	-	-	1	2	-	-	-	-
432.48.851	-	-	1	2	-	-	-	-
432.48.856	-	-	-	-	1	2	-	-
432.48.861	-	-	-	-	1	2	-	-
432.48.866	-	-	-	-	1	2	-	-
432.48.871	-	-	-	-	-	-	1	2
432.48.876	-	-	-	-	-	-	1	2
432.48.881	-	-	-	-	-	-	1	2
432.48.886	-	2	-	-	-	-	1	1
432.48.891	1	3	1	1	-	-	-	-

Mounting bracket selection for Accuride 9308 runners

Bracket Runner	422.10.010		422.10.011		422.10.012		422.10.013	
	S	B	S	B	S	B	S	B
422.33.832/833	1	2	-	-	-	-	-	-
422.33.837/838	1	2	-	-	-	-	-	-
422.33.842/843	-	-	1	2	-	-	-	-
422.33.847/848	-	-	1	2	-	-	-	-
422.33.852/853	-	-	1	2	-	-	-	-
422.33.857/858	-	-	-	-	1	2	-	-
422.33.862/863	-	-	-	-	1	2	-	-
422.33.867/868	-	-	-	-	-	-	1	2
422.33.872/873	-	-	-	-	-	-	1	2
422.33.877/878	-	-	-	-	-	-	1	2
422.33.882/883	2	4	-	-	-	-	-	-
422.33.887/888	2	4	-	-	-	-	-	-
422.33.892/893	1	2	-	-	1	2	-	-
422.33.912/913	1	3	-	-	1	1	-	-
422.33.917/918	1	3	-	-	-	-	1	1
422.33.922/923	1	3	-	-	-	-	1	1
422.33.952/953	-	-	-	-	1	3	1	1

LIFT, TURN AND SLIDE 2013, © Häfele U.K. Ltd 2013. Dimensional data not binding. We reserve the right to alter specifications without notice.