

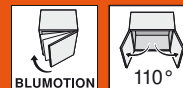


CLIP top BLUMOTION 110°

Technical data sheet

CLIP top BLUMOTION

110° hinge



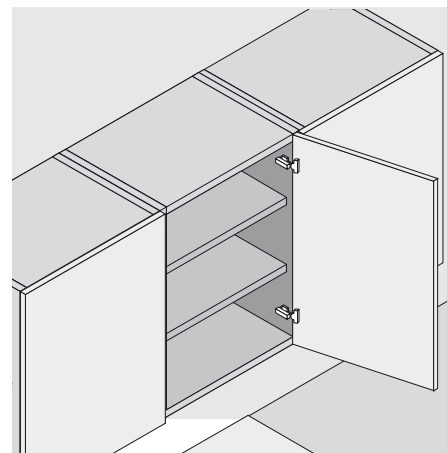
Product



Description

- All metal hinge, nickel plated
- 110° opening angle
- With **integrated BLUMOTION**
- **BLUMOTION** can be deactivated
- With convenient spiral-tech depth adjustment
- With closing mechanism (spring)
- Tool-free door to cabinet assembly and removal
- 3-dimensional adjustment
- With **INSERTA** tool-free boss assembly

Application



Order specification

Overlay application			
	Boss INSERTA	Part No.	
Steel boss with spring	71B3590		

Dual application			
	Boss INSERTA	Part No.	
Steel boss with spring	71B3690		

Inset application			
	Boss INSERTA	Part No.	
Steel boss with spring	71B3790		

Boss Screw-on		
Steel boss with spring	71B3550	

Boss Screw-on		
Steel boss with spring	71B3650	

Boss Screw-on		
Steel boss with spring	71B3750	

Boss Knock-in			XX	MZM.xxxx
Steel boss with spring	71B3580			

Boss Knock-in			XX	MZM.xxxx
Steel boss with spring	71B3680			

Boss Knock-in			XX	MZM.xxxx
Steel boss with spring	71B3780			

Cover caps		
	Steel	Nickel plated
Plain		70.1503
Stamped	Blum	70.1503.BP

Cover caps		
	Steel	Nickel plated
Plain		70.1663
Screen print	Blum	70.1663.BL

Cover caps		
	Steel	Nickel plated
Plain		70.1663
Screen print	Blum	70.1663.BL

Accessories

Chipboard screws for hinge boss fixing		
3.5 x 15 mm	609.1500	
3.5 x 17 mm	609.1700	

Boss cover cap for screw-on/ knock-in boss		
	Steel	Nickel plated
		70T3504

