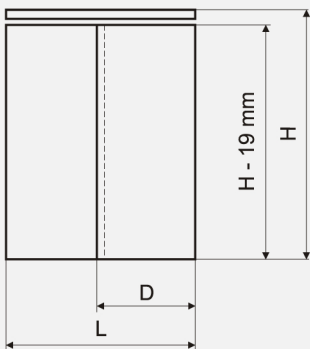




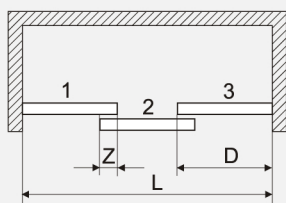
APIS

Installation instruction

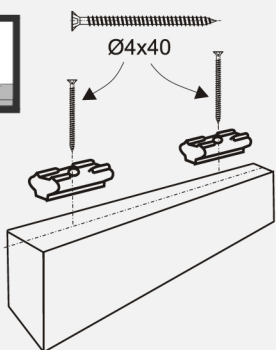


$$D = \frac{L + (n-1) \cdot z}{n}$$

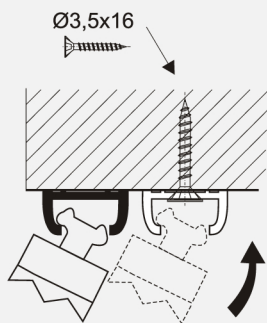
$$n = 2, 3, 4, \dots$$



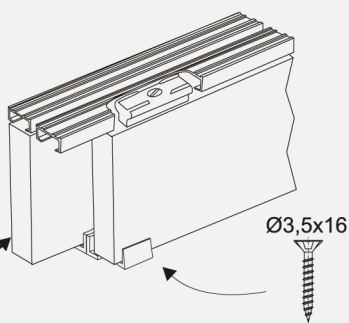
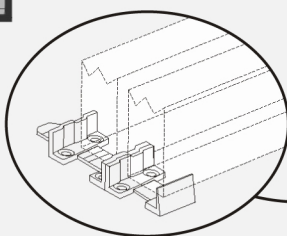
1



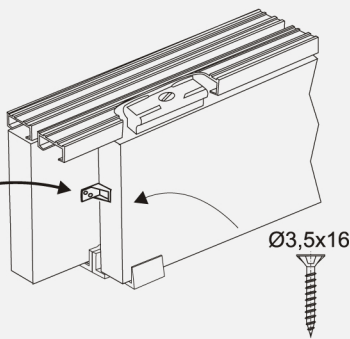
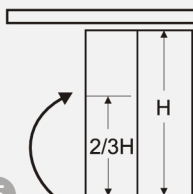
2



3

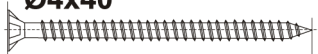


4



5

Ø4x40



Ø3,5x16



0 10 mm 20 mm 30 mm 40 mm